



VAHLE

Spring Operated Cable Reels

SYSTEMS IN MOTION



Spring Operated Cable Reels

Content	Page
Spring operated cable reels	3
Reel selection charts	5
Typical applications	6
Model explanation	7
Reel selection charts	8

Application

Our spring operated cable reels serve the industry for reliable electrification of equipment in motion; for automatic winding of flexible power- and control-cables.

Application areas

Portal- and Gantry Cranes, Dockside-, Ship- and Construction Cranes, Grabs and Magnets, Electric Hoists and other material handling -lifting -stacking and -storing equipment. They fully meet VDE and UVV safety requirements.

Special applications

- VAHLE Reels on board ships or in the tropics.
- VAHLE Reels in aggressive environments (galvanizing plants, pickling lines, sewage treatment systems).
- VAHLE Reels in explosionproof versions (slipringless).
- VAHLE Reels for Control-, Signal- and Highfrequency-Transmission.
- VAHLE Reels for Air, Liquids and Gases (Hose Reels).
- VAHLE Reels for handling steel ropes in travel distance-tracking systems and for grab stability on heavy cranes (Tag Line Reels).
- VAHLE Reels for Curves and for Endless Monorails with special swivel base.
- VAHLE Reels of the Ratchet Type with a lock mechanism for multi level machine tools and for push-button pendants.
- VAHLE Reels for Flatform Cable (especially in the palette stacking and machine tool industry).
- VAHLE Reels in Monospiral Version.

Vahle welcomes your inquiry on your particular application.

Electrical Properties of Sliprings

Standard sliprings are rated for 500 Volt AC and 600 Volt DC, Control Rings in block system for 230 Volts. Collector Ring Ampere capacities are for 100% nominal rating.

Content	Page
Cable reels (with fixing flange)	25
Cable reels (with console)	27
Accessories	28
Spare parts.....	34
Questionnaire.....	36
Notes.....	38

Protection Code

Slipring enclosures are designed to IP 55. Higher grade protection – available upon request.

Drive System

The Reel Drive is achieved via helical springs of high quality spring steel. Depending on the duty and type of service they will last about 120.000 working cycles.

Cable Payout

is normally following the technical information on pages 25 and 27 of this catalog.

Other requirements can be fulfilled; add suffix A in the type designation for opposite hand rotation. (See model code on page 7).

Limit Switch Assemblies

for switching off travel and hoist motors with one or two safety windings on the reel are optional.

Accident Prevention

All moveable parts of the drive system, e.g. chaindrive are covered in accordance with the Accident Prevention Code. Therefore, the cable reels can be installed in work areas as well as traffic areas. Additional protective devices, such as a cover for the revolving reel body itself, are to be furnished and fitted at site.

Corrosion Protection

The all-steel construction of the VLF 155 to VLF 530 reel series is galvanized. All other reels come with one primer coat and one finishing paint of epoxy-resin RAL 7031 blue-grey varnish.

Installation Information

Installation instructions and operation manuals for commissioning advice and assistance are attached to each reel shipment.

Reel Capability

max. speed of travel or lift application: $v = 60$ m/min.
max. travel acceleration: $a = 0,2$ m/sec²
max. lift acceleration: $a = 0,2$ m/sec²

Cable length

Reels are designed to handle a certain type and length of cable in a specific manner. Never use reels for more cable than outlined in the selection charts. Two safety windings are included on the reeling body.

Total cable length

The total cable length required results from maximum payout length plus reel installation height plus two safety windings plus free end length for connection.

Safety Advice

According to EEC-regulation 89/392/EWG rotating parts such as reel compartments must be protected against accidents.

Guarantee

We provide guarantee according to the general conditions of delivery for products and services of the electrical industry. The reel springs are as a wear part excluded from this guarantee.

Reeling cables

Reeling cables which correspond to the mechanical requirements should be used.

Factors in selecting cable for reel use, considering motor currents, required wire sizes and allowable voltage drop.

$$A = \frac{1,73 \cdot L \cdot IG \cdot \cos\varphi}{\Delta U \cdot x} \text{ (mm}^2\text{)}$$

Legend to Formula:

A = Required Wire Size
(Conductor Cross Section in sq. mm)
L = Total Cable Length (m)
IG = Total Ampere Load (Amps)
 $\cos \varphi$ = Power Factor = approx. 0,8
x = Conductor Conductivity (Copper = 56)
 ΔU = Allowable Voltage Drop (Volts)

Cable selection and determining wire size ampacity, considering permissible temperature rise

The reel selection charts are based on the cable data as per table No. 1, indicating continuous ampacity for 3-conductor open air installation with an ambient temperature of 30 °C. Use derating table No. 3 for other ambient temperature. The continuous ampacities as per table No. 1 are only applicable to a limited extend for cables under reeling operation. The derating factors for multilayer service are shown in table No. 4. They are valid for permanently and fully spooled cables.

However, as many applications in practice do not have the cable fully spooled all the time, it is recommended to use an intermediate factor only. For monospiral winding refer to the same continuous ampacities than for one-layer operation. The continuous ampacities as per table 1 are suitable also for 4-core cables. Also 5-core arrangements are permissible, if one core is used as ground. If necessary consider the cable accumulation for dimensioning of the cables according to VDE 0100 §41 regulation.

The following derating factors (table No. 5) are nearly suitable for multi-core cables, depending on the quantity of cores. The following derating factors (table No. 2) are valid for intermitent service in relation to the continuous ampacities for permanent load as per table No. 1.

Reel selection tables

for arrangement samples - random wrap, horizontal or vertical cable payout or steeply rising -

Table 1: Continuous cable ampacity (100% CD) for open air installation

Wire size (mm ²)	Ampere Capacity (A)	
	60°C max. permissible temp. at conductors	80°C max. permissible temp. at conductors
1,5	18	24
2,5	25	32
4	34	43
6	44	56
10	60	78
16	80	104
25	107	138
35	133	171
50	165	213

Table 2: Multiplier for intermittent service (according to manufacturers' instructions)

Wire size (mm ²)	at intermittent duty cycle of (according to manufacturers' instructions)			
	60%	40%	25%	15%
1,5	1,00	1,00	1,00	1,00
2,5	1,00	1,00	1,04	1,07
4	1,00	1,03	1,05	1,19
6	1,00	1,04	1,13	1,27
10	1,03	1,09	1,21	1,44
16	1,07	1,16	1,34	1,62
25	1,10	1,23	1,46	1,79
35	1,13	1,28	1,53	1,90
50	1,16	1,34	1,62	2,03

Table 3: Derating for other ambient temperature for open air installation

Ambient temp. °C	Correction factors											
	25	30	35	40	45	50	55	60	65	70	75	
Cable for max. 60°C	1,08	1,00	0,91	0,82	0,71	0,58	0,41	-	-	-	-	
Cable for max. 80°C	1,05	1,00	0,95	0,89	0,84	0,77	0,71	0,63	0,55	0,45	0,32	

Table 4: Derating for multilayer service

No. of Cond. in service	1	2	3	4
Multiplier	0,76	0,58	0,47	0,40

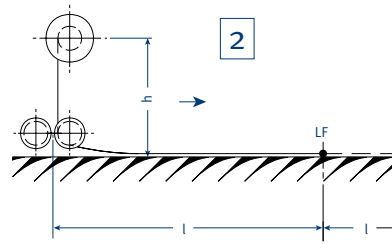
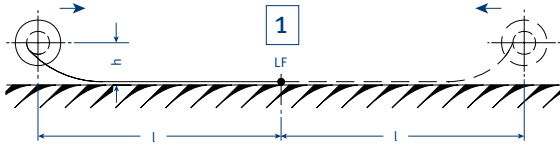
Table 5: Derating for multiconductor service

No. of Cond. in service	5	7	10	14	19	24	40
Multiplier	0,75	0,65	0,55	0,50	0,45	0,40	0,35

Typical Applications

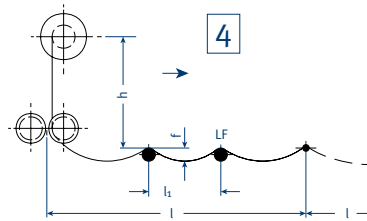
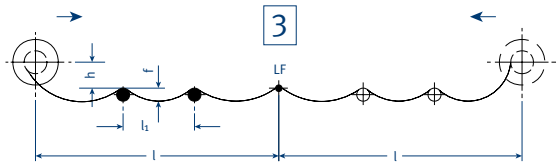
Reel on moving equipment

Cable on the ground or in a continuous tray
Horizontal Cable payout in one or two directions



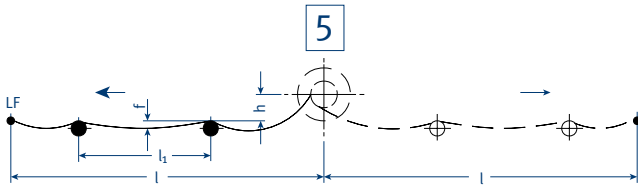
Reel on moving equipment

Cable on supports ($l_1 = 1\text{m}$), or rather rolls or rounded smooth supports ($l_1 = 1$ to 3m)
Horizontal Cable payout in one or two directions



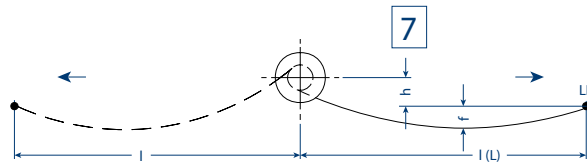
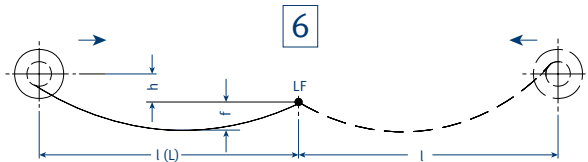
Reel stationary

(Cable fixpoint at moving equipment), horizontal cable payout in one or two directions on rolls or smooth supports ($l_1 = 3\text{m}$)



Reel on moving equipment (6) or Reel stationary (7) - (Cable fixpoint at moving equipment)

Free horizontal cable payout in one or two directions. For payout in one travel direction: „f“ is determining the loop depth if the suspended cable length „L“ is larger than „l“.



Legend to Drawings: (Examples 1-7)

l = max. operational length of cable (m)
(with cable payout in two travel directions = half travel length)

L = max. operational length [m] between reel and cable fixpoint

h = Installation height = distance from cable tray or cable fixpoint to reel center [m]

LF = Cable fixpoint

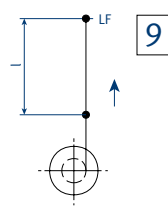
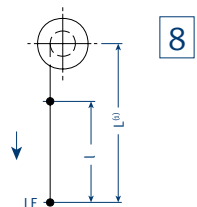
f = max. cable loop depth [m], relating to cable fixpoint "LF"

l_1 = Rolls or support distance [m]

Lifting operation

Cable payout vertical or steeply sloping (8)

Cable payout vertical or steeply rising (9)



Legend to Drawings (Examples 8 and 9)

l = operational length of cable

L = max. sloping cable length (m). Also consider additional weight (e.g. control switch)

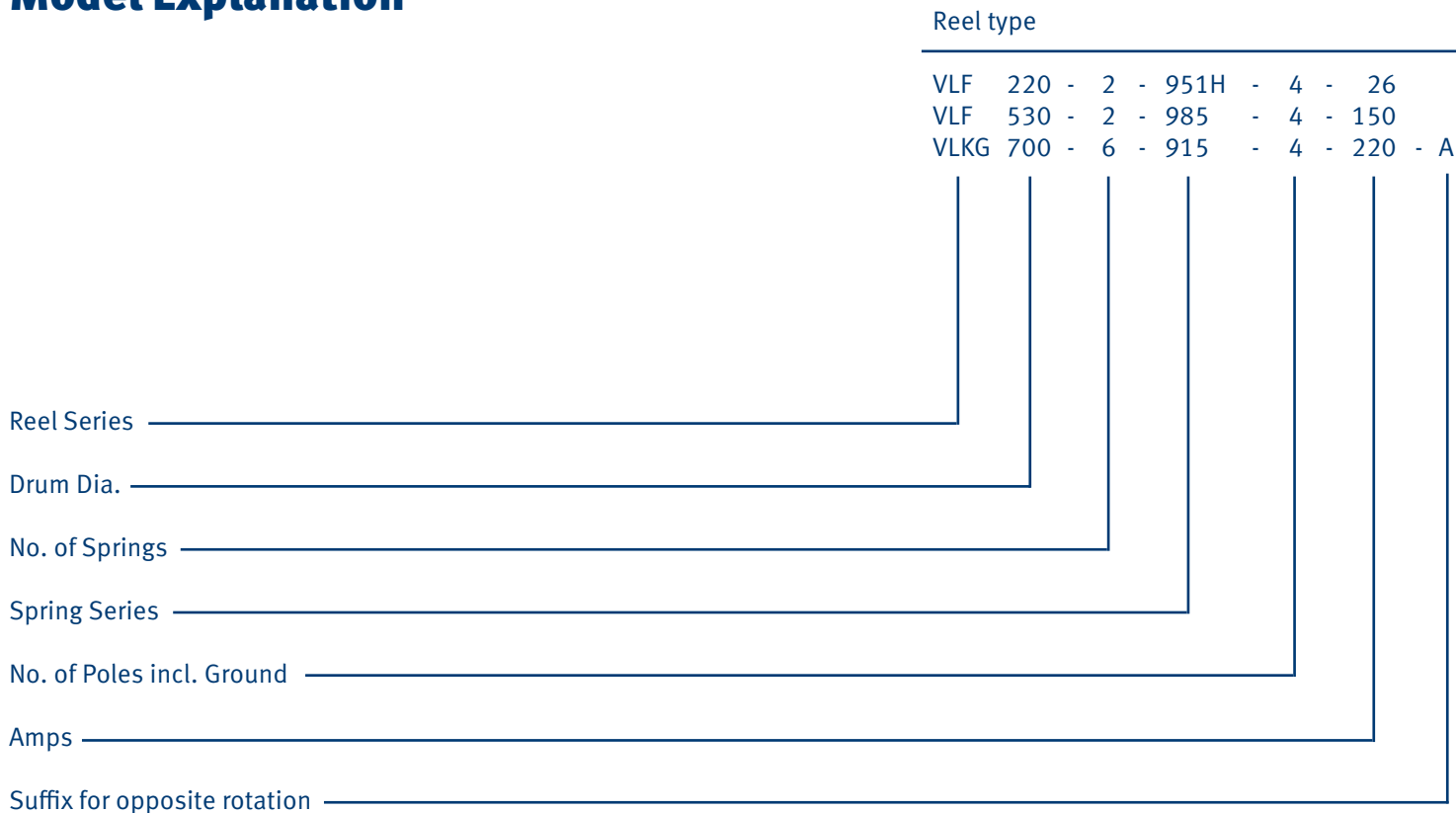
LF = Cable fixpoint

Note

For applications 2, 4, 5 and reels beyond the listed capacities please fill in the questionnaire on page 36 and consult your local agent or our factory.

1) The sloping cable length is relevant for cable reel selection. Also consider additional weight (control switch).

Model Explanation



Selecting a VAHLE Cable Reel

To select the right Vahle Reel from the Reel Selection Charts you must know the application (see page 6), the length and the type of cable (wire size, number of conductors, outside diameter, weight per meter).

Legend to Selection table:

l = max. operational length of cable

L = max. sloping cable length (m). („L“ can coincide with max. operational reeling length „l“).

h = max. mounting height = distance from cable tray or cable fix point to center of reel (m).

Measure „h“ might be exceeded if ground clearance is sufficient (e.g. for cable payout in one travel direction). Provide guide- or tension relief devices for cable payout in two travel directions or passing over the cable fix point.

LZ = No. of layers on reel (partly required for determination of cable cross section).

nv = required initial spring tension turns

n = max. operational and permissible turns for max. cable length „l“.

Z = max. reel torque for cable payout (N)

f = max. cable loop depth relating to cable fixpoint "LF" (m)

Note

Initial spring tension nv can be increased when reducing the max. cable length to be handled. However, never exceed the total permissible turns nv+n.

Reel selection table

for application 1, 3 and 9, random wrap, horizontal/vertical cable payout or steeply rising

Trommelflex Pur - H 4 x 1,5 mm², Ø 11,2 mm, 0,155 kg/m

l(m)	h(m)	LZ~	Reel type	weight (kg)	nv(U)	n(U)	Z(N)	Order No.
7	0,5	1,7	VLF155-1-908-4-26	3,1	2	13	40	902 010
12	0,5	2,0	VLF180-1-931-4-26	9,0	2	19	60	902 020
27	0,5	4,0	VLF180-2-931H4-26	11,0	4	38	60	902 022
28	1,0	5,0	VLF220-3-951H4-26	15,5	4	36	100	901 513
44	1,0	3,9	VLF222-3-951H4-26	23,1	6	54	100	901 514
47	1,0	3,0	VLF300-2-952H4-26	28,0	4	45	100	902 291
72	1,0	4,0	VLF301-3-952H4-26	34,2	6	69	100	901 515
83	1,5	3,0	VLF420-2-953H4-36	56,0	4	58	120	902 401

Trommelflex Pur - H 5 x 1,5 mm², Ø 11,8 mm, 0,178 kg/m

l(m)	h(m)	LZ~	Reel type	weight (kg)	nv(U)	n(U)	Z(N)	Order No.
7	0,5	1,7	VLF155-1-908-5-26	3,5	2	13	40	902 016
12	0,5	2,0	VLF180-1-931-5-26	9,0	2	19	60	902 040
20	0,5	4,0	VLF180-2-931H5-26	11,0	4	37	60	902 042
26	1,0	3,0	VLF220-2-951H5-26	19,0	4	33	100	902 132
39	1,0	4,0	VLF222-3-951H5-26	22,0	6	49	100	901 521
47	1,0	3,0	VLF300-2-952H5-26	28,0	4	45	100	902 322
73	1,0	4,0	VLF301-3-952H5-26	34,2	6	69	100	901 376
83	1,5	2,9	VLF420-2-953H5-36	56,0	4	58	120	902 441

Trommelflex Pur - H 7 x 1,5 mm², Ø 13,5 mm, 0,218 kg/m

l(m)	h(m)	LZ~	Reel type	weight (kg)	nv(U)	n(U)	Z(N)	Order No.
7	0,5	1,9	VLF155-1-908-7-26	3,5	2	13	40	902 008
10	0,5	3,0	VLF180-1-931-7-26	10,5	2	16	60	902 043
12	1,0	3,0	VLF220-1-951-7-26	19,5	2	16,5	100	902 160
20	1,0	3,0	VLF220-2-951H7-26	21,5	4	25	100	902 116
26	1,0	4,0	VLF221-2-951H7-26	22,8	2	33	100	902 282
41	1,0	5,0	VLF222-3-951H7-26	23,1	6	49	100	901 516
49	1,0	3,5	VLF300-2-952H7-26	28,0	4	45	100	902 352
73	1,0	4,0	VLF301-3-952H7-26	34,2	6	67	100	901 517
80	1,5	4,0	VLF420-2-953H7-36	57,0	4	57	120	902 481

The spring reels highlighted in blue are pre-assembled and available in two weeks ex works.

Trommelflex Pur - H 12 x 1,5 mm², Ø 17,0 mm, 0,363 kg/m

l(m)	h(m)	LZ~	Reel type	weight (kg)	nv(U)	n(U)	Z(N)	Order No.
7	0,5	2,0	VLf180-1-931-12-26	10,5	2	12	60	902 058
12	1,0	3,0	VLf220-1-951-12-26	19,5	2	16,5	100	902 183
22	1,0	4,0	VLf220-2-951H12-26	22,5	2	30	100	901 364
29	1,0	4,0	VLf221-2-951H12-26	23,5	4	33	100	902 283
32	1,0	4,0	VLf222-3-951H12-26	26,0	6	38	100	901 518
50	1,0	4,0	VLf300-2-952H12-26	30,0	4	45	100	902 372
56	1,5	4,0	VLf301-3-972H12-26	44,0	6	35	170	901 519
71	1,5	4,0	VLf420-2-983H12-36	57,0	4	49	120	902 504
79	1,5	4,0	VLf420-2-953H12-36	59,0	4	54	120	902 502
85	1,5	5,0	VLf421-2-953H12-36	63,0	4	57	120	902 570
106	1,5	3,5	VLK530-4-924-12-36	128,0	5	57	160	901 520

Trommelflex Pur - H 18 x 1,5 mm², Ø 18,1 mm, 0,459 kg/m

l(m)	h(m)	LZ~	Reel type	weight (kg)	nv(U)	n(U)	Z(N)	Order No.
8	1,0	2,0	VLf220-1-951-18-26	20,5	2	16,5	100	902 115
11	1,0	2,5	VLf220-2-951-18-36	22,0	2	13	200	902 193
18	1,0	3,0	VLf221-2-951H18-26	25,0	4	22	100	902 281
23	1,0	3,0	VLf300-2-952-18-26	31,0	4	22,5	210	902 377
29	1,5	3,0	VLf300-2-972H18-26	38,0	4	28	180	901 435
33	1,5	3,0	VLf420-1-983-18-36	55,0	2	24	120	902 506
40	1,5	4,0	VLf420-1-953-18-36	56,0	2	29	120	901 436
73	1,5	4,0	VLf420-2-983H18-36	58,0	4	49	120	902 509
87	1,5	5,0	VLf421-2-953H18-36	61,0	4	57	120	901 522

Trommelflex Pur - H 24 x 1,5 mm², Ø 20,9 mm, 0,590 kg/m

l(m)	h(m)	LZ~	Reel type	weight (kg)	nv(U)	n(U)	Z(N)	Order No.
14	1,0	2,0	VLf300-1-952-24-36	29,0	2	16	100	902 378
24	1,0	3,0	VLf300-2-952-24-36	31,0	2	22	210	902 380
35	1,5	3,0	VLf420-2-983-24-36	59,0	2	24	240	902 521
41	1,5	3,0	VLf420-2-953-24-36	61,0	2	28	240	902 520
45	1,5	3,1	VLf421-2-953-24-36	68,0	2	29	240	901 523
76	1,5	3,3	VLf530-2-986H24-36	117,0	4	40	245	903 804
89	1,5	3,8	VLKG530-6-924-24-36	152,0	4	46	305	901 524

The spring reelers highlighted in blue are pre-assembled and available in two weeks ex works.

Reel selection table

for application 1, 3 and 9, random wrap, horizontal/vertical cable payout or steeply rising

Trommelflex Pur - H 30 x 1,5 mm², Ø 24,0 mm, 0,720 kg/m

l(m)	h(m)	LZ~	Reel type	weight (kg)	nv(U)	n(U)	Z(N)	Order No.
12	1,0	2,0	VLF300-1-952-30-36	29,5	2	12	100	902 390
20	1,0	2,0	VLF300-2-952-30-36	31,0	2	19	210	900 316
36	1,5	3,0	VLF420-2-983-30-36	60,0	2	24	240	901 115
38	1,5	3,0	VLF420-2-953-30-36	62,0	2	25	240	901 437
46	1,5	3,4	VLF421-2-953-30-36	68,0	2	29	240	901 526
78	1,5	3,6	VLF530-2-986H30-36	118,0	4	40	245	901 527
91	1,5	4,0	VLKG530-6-924-30-36	152,0	4	46	305	901 528

Trommelflex Pur - H 4 x 2,5 mm², Ø 12,3 mm, 0,208 kg/m

l(m)	h(m)	LZ~	Reel type	weight (kg)	nv(U)	n(U)	Z(N)	Order No.
7	0,5	2,0	VLF155-1-908-4-26	4,0	2	11,5	40	902 010
10	0,5	2,0	VLF180-1-931-4-26	9,0	2	18	60	902 020
18	0,5	3,0	VLF180-2-931H4-26	10,0	4	28	60	902 022
26	1,0	4,0	VLF220-2-951H4-26	19,5	4	34	100	902 102
42	1,0	4,0	VLF222-3-951H4-26	23,0	6	50	100	901 514
46	1,0	4,0	VLF300-2-952H4-26	25,0	4	45	100	902 291
68	1,0	4,0	VLF301-3-952H4-26	34,0	6	67	100	901 515
83	1,5	4,0	VLF420-2-953H4-36	56,0	4	58	120	902 401
88	1,5	3,0	VLF530-2-985H4-36	110,0	4	50	130	903 780
102	1,5	2,6	VLK530-3-924-4-36	116,0	5	58	120	901 529

Trommelflex Pur - H 5 x 2,5 mm², Ø 13,0 mm, 0,230 kg/m

l(m)	h(m)	LZ~	Reel type	weight (kg)	nv(U)	n(U)	Z(N)	Order No.
7	0,5	1,0	VLF155-1-908-5-26	6,0	2	12	40	902 016
10	0,5	2,0	VLF180-1-931-5-26	10,0	2	18	60	902 040
18	0,5	3,0	VLF180-2-931H5-26	11,0	4	28	60	902 042
26	1,0	2,9	VLF220-2-951H5-26	16,0	4	25	100	902 132
40	1,0	3,5	VLF220-3-951H5-26	18,5	6	33	100	901 530
46	1,0	4,0	VLF300-2-952H5-26	25,5	4	45	100	902 322
69	1,0	4,0	VLF300-3-952H5-26	28,0	6	67,5	100	902 329
80	1,5	3,5	VLF420-2-953H5-36	56,0	4	57	120	902 441
103	1,5	2,6	VLK530-3-924-5-36	116,0	6	58	120	901 844

The spring reelers highlighted in blue are pre-assembled and available in two weeks ex works.

Trommelflex Pur - H 7 x 2,5 mm², Ø 14,7 mm, 0,315 kg/m

l(m)	h(m)	LZ~	Reel type	weight (kg)	nv(U)	n(U)	Z(N)	Order No.
10	0,5	2,0	VLF180-1-931-7-26	9,0	2	18	60	902 043
12	0,5	3,0	VLF220-1-951-7-26	15,5	2	16,5	100	902 160
17	1,0	3,0	VLF220-2-951H7-26	19,0	4	33	100	902 116
26	1,0	4,0	VLF221-2-951H7-26	20,0	4	33	100	902 282
41	1,0	5,0	VLF222-3-951H7-26	21,0	6	49	100	901 516
47	1,0	4,0	VLF300-2-952H7-26	29,0	4	45	100	902 352
71	1,0	4,0	VLF301-3-952H7-26	35,0	6	67	100	901 517
81	1,5	4,0	VLF420-2-953H7-36	55,0	4	57	120	902 481
104	1,5	2,9	VLK530-4-924-7-36	129,0	5	58	160	901 531

Trommelflex Pur - H 12 x 2,5 mm², Ø 20,5 mm, 0,485 kg/m

l(m)	h(m)	LZ~	Reel type	weight (kg)	nv(U)	n(U)	Z(N)	Order No.
10	1,0	3,0	VLF220-1-951-12-26	19,5	2	16,5	100	902 183
16	1,0	3,0	VLF221-2-951H12-26	23,5	4	33	100	902 283
25	1,0	2,7	VLF300-2-952-12-26	30,0	2	22	210	902 371
29	1,0	4,0	VLF301-3-972H12-26	34,0	6	52	100	901 519
34	1,5	3,0	VLF420-1-983-12-36	53,0	2	24	120	902 512
41	1,5	2,8	VLF420-1-953-12-36	55,0	2	28	120	902 500
83	1,5	5,0	VLF421-2-953H12-36	60,0	4	57	120	902 570
85	1,5	5,0	VLF530-2-985H12-36	66,0	4	57	200	903 819
107	1,5	4,0	VKLG530-5-924-12-36	142,0	5	56	200	901 532

Trommelflex Pur - H 18 x 2,5 mm², Ø 20,6 mm, 0,679 kg/m

l(m)	h(m)	LZ~	Reel type	weight (kg)	nv(U)	n(U)	Z(N)	Order No.
8	1,0	2,0	VLF220-1-951-18-26	20,5	2	16,5	100	902 115
15	1,0	3,0	VLF221-2-951H18-26	23,0	4	22	100	902 281
26	1,0	3,0	VLF300-2-952H18-26	32,0	4	32	100	901 428
27	1,0	3,0	VLF300-2-972H18-26	36,0	4	35	170	901 435
34	1,5	3,0	VLF420-2-983-18-36	58,0	2	24	240	902 510
45	1,5	3,0	VLF420-2-953H18-36	60,0	4	57	120	901 533
69	1,5	3,0	VLF530-2-986H18-36	65,0	4	40	245	901 534
87	1,5	3,4	VLK530-4-924-18-36	140,0	4	46	200	901 535
104	1,5	4,0	VKLG530-5-924-18-36	150,0	5	54	200	901 536

The spring reelers highlighted in blue are pre-assembled and available in two weeks ex works.

Reel selection table

for application 1, 3 and 9, random wrap, horizontal/vertical cable payout or steeply rising

Trommelflex Pur - H 24 x 2,5 mm², Ø 23,6 mm, 0,860 kg/m

l(m)	h(m)	LZ~	Reel type	weight (kg)	nv(U)	n(U)	Z(N)	Order No.
12	1,0	2,0	VLF300-1-972-24-36	35,0	2	19	165	901 438
22	1,0	3,0	VLF300-2-972-24-36	35,0	2	19	330	902 294
36	1,5	3,0	VLF421-2-983-24-36	63,0	2	24	240	901 537
43	1,5	3,6	VLF421-2-953-24-36	70,0	2	29	240	901 523
79	1,5	3,8	VLF530-2-986H24-36	133,0	4	40	245	903 804
88	1,5	4,0	VLKG530-5-925-24-36	144,0	5	44	300	901 538

Trommelflex Pur - H 30 x 2,5 mm², Ø 28,2 mm, 1,080 kg/m

l(m)	h(m)	LZ~	Reel type	weight (kg)	nv(U)	n(U)	Z(N)	Order No.
8	1,5	1,0	VLF420-1-983-30-36	68,0	2	24	120	902 525
20	1,5	2,0	VLF420-2-983-30-36	68,0	2	24	240	901 115
33	1,5	4,0	VLF421-2-953-30-36	75,0	2	28	240	901 526
77	1,5	4,0	VLF530-2-986H30-36	135,5	4	38	245	901 527
98	1,5	3,6	VLKG700-6-925-30-36	238,0	4	39	340	901 227

Trommelflex Pur - H 4 x 4 mm², Ø 13,6 mm, 0,281 kg/m

l(m)	h(m)	LZ~	Reel type	weight (kg)	nv(U)	n(U)	Z(N)	Order No.
10	0,5	2,0	VLF180-1-931-4-40	8,5	2	18	60	901 102
12	0,5	3,0	VLF220-1-951-4-40	18,0	2	25	100	902 110
16	1,0	3,0	VLF220-2-951H4-40	20,0	4	33	100	902 114
26	1,0	4,0	VLF221-2-951H4-40	22,0	4	33	100	902 214
47	1,0	4,0	VLF300-2-952H4-40	31,0	4	45	100	902 302
73	1,0	3,5	VLF301-3-952H4-40	37,0	6	67	100	901 402
81	1,5	4,0	VLF420-2-953H4-42	55,0	4	58	120	902 411
103	1,5	2,7	VLK530-4-924-4-42	156,0	5	58	160	901 539

Trommelflex Pur - H 5 x 4 mm², Ø 14,5 mm, 0,318 kg/m

l(m)	h(m)	LZ~	Reel type	weight (kg)	nv(U)	n(U)	Z(N)	Order No.
4	0,5	1,0	VLF180-1-931-5-40	7,8	2	18	60	901 287
9	0,5	2,0	VLF180-2-931-5-40	8,5	2	18	120	902 050
12	0,5	3,0	VLF220-1-951-5-40	17,5	2	16	100	902 140
26	1,0	4,0	VLF221-2-951H5-40	21,0	4	33	100	902 251
41	1,0	5,0	VLF222-3-951H5-40	24,0	6	49	100	901 540
50	1,0	3,9	VLF300-2-952H5-40	28,0	4	45	100	902 331
70	1,0	4,0	VLF301-3-952H5-40	36,5	6	67	100	901 541
81	1,5	4,0	VLF420-2-953H5-42	55,5	4	57	120	902 451
104	1,5	3,0	VLK530-4-924-5-42	156,0	5	58	160	901 542

The spring reelers highlighted in blue are pre-assembled and available in two weeks ex works.

Trommelflex Pur - H 4 x 6 mm², Ø 14,9 mm, 0,372 kg/m

l(m)	h(m)	LZ~	Reel type	weight (kg)	nv(U)	n(U)	Z(N)	Order No.
12	1,0	3,0	VLF220-1-951-4-60	16,0	2	16	100	902 120
21	1,0	3,0	VLF220-2-951H4-60	18,0	4	33	100	902 107
26	1,0	4,0	VLF221-2-951H4-60	22,0	4	33	100	901 439
50	1,0	3,9	VLF300-2-952H4-60	31,0	4	45	100	902 312
57	1,0	4,0	VLF301-3-952H4-60	37,0	6	55	100	901 543
69	1,5	4,0	VLF420-2-983H4-60	54,0	4	48	120	902 425
82	1,5	4,0	VLF420-2-953H4-60	56,0	4	57	120	902 422
105	1,5	3,1	VLK530-4-924-4-60	156,0	5	58	180	901 544

Trommelflex Pur - H 5 x 6 mm², Ø 16,1 mm, 0,435 kg/m

l(m)	h(m)	LZ~	Reel type	weight (kg)	nv(U)	n(U)	Z(N)	Order No.
9	1,0	2,9	VLF220-1-951-5-60	19,1	2	16	100	902 150
12	1,0	3,0	VLF221-1-951-5-60	20,0	2	16	100	901 545
27	1,0	4,0	VLF221-2-951H5-60	20,5	4	33	100	901 546
32	1,0	4,0	VLF222-3-951H5-60	24,0	6	48	100	901 547
37	1,0	4,0	VLF300-2-972H5-60	30,0	4	35	170	902 326
55	1,0	4,0	VLF300-3-972H5-60	36,0	6	52	170	901 548
71	1,5	4,0	VLF420-2-983H5-60	55,0	4	49	120	902 465
84	1,5	5,0	VLF420-2-953H5-60	57,0	4	57	120	902 462
106	1,5	3,3	VLKG530-5-924-5-60	168,0	5	58	200	901 549

Trommelflex Pur - H 4 x 10 mm², Ø 18,9 mm, 0,615 kg/m

l(m)	h(m)	LZ~	Reel type	weight (kg)	nv(U)	n(U)	Z(N)	Order No.
7	1,0	2,0	VLF220-1-951-4-60	19,0	2	16	100	902 120
13	1,0	3,0	VLF220-2-951-4-60	21,0	2	16	200	902 123
20	1,0	3,0	VLF221-2-951H4-50	22,0	4	33	100	901 439
17	1,0	2,0	VLF300-1-972-4-60	26,0	2	17	170	901 401
23	1,0	3,0	VLF300-2-952-4-60	28,0	2	22	200	902 311
29	1,0	3,0	VLF300-2-972H4-60	30,0	4	34	170	901 309
34	1,5	4,0	VLF420-2-983-4-60	55,0	2	23	240	902 424
40	1,5	3,0	VLF420-2-953-4-60	57,0	2	28	240	902 421
45	1,5	3,0	VLF420-2-984H4-60	59,0	4	32	235	902 414
68	1,5	3,0	VLF530-2-986H4-60	131,0	4	40	245	903 783
85	1,5	4,0	VLK530-4-924-4-60	156,0	4	46	200	901 544
110	1,5	3,9	VLKG530-5-924-4-60	168,0	5	58	200	901 550

The spring reels highlighted in blue are pre-assembled and available in two weeks ex works.

Reel selection table

for application 1, 3 and 9, random wrap, horizontal/vertical cable payout or steeply rising

Trommelflex Pur - H 4 x 16 mm², Ø 22,1 mm, 0,924 kg/m

l(m)	h(m)	LZ~	Reel type	weight (kg)	nv(U)	n(U)	Z(N)	Order No.
14	1,0	2,0	VL300-1-952-4-125	25,0	2	15	100	901 443
20	1,0	3,0	VL300-2-952-4-125	28,0	2	22	200	901 122
25	1,0	2,0	VL420-2-983-4-150	58,0	2	24	240	902 430
35	1,5	2,0	VL421-2-983-4-150	60,0	2	24	240	902 541
42	1,5	4,0	VL421-2-953-4-150	62,0	2	28	240	902 540
71	1,5	4,0	VL530-2-986H4-150	131,0	4	40	245	903 788
90	1,5	3,9	VL530-4-924-4-150	156,0	4	46	200	901 551

Trommelflex Pur - H 4 x 25 mm², Ø 25,5 mm, 1,222 kg/m

l(m)	h(m)	LZ~	Reel type	weight (kg)	nv(U)	n(U)	Z(N)	Order No.
15	1,5	2,0	VL420-2-983-4-150	58,0	2	14	240	902 430
20	1,5	2,0	VL420-1-984-4-150	58,0	2	16	230	901 552
33	1,5	3,0	VL421-2-983-4-150	60,0	2	25	240	902 541
42	1,5	2,6	VL530-2-985-4-150	112,0	2	25	260	903 784
80	1,5	4,0	VL530-4-924-4-150	138,0	4	46	200	901 551
117	1,5	4,0	VL700-6-924-4-150	240,0	4	46	230	901 553

Trommelflex Pur - H 4 x 35 mm², Ø 30,0 mm, 1,780 kg/m

l(m)	h(m)	LZ~	Reel type	weight (kg)	nv(U)	n(U)	Z(N)	Order No.
8	1,5	1,0	VL420-1-983-4-150	55,0	2	8	120	901 554
20	1,5	2,0	VL420-2-983-4-150	58,0	2	15	240	902 430
31	1,5	2,0	VL530-1-986-4-150	111,0	2	19	245	901 555
49	1,5	2,8	VL530-2-985-4-150	112,0	2	25	265	903 784
100	1,5	3,7	VL700-4-925-4-150	188,0	4	39	230	903 190

The spring reelers highlighted in blue are pre-assembled and available in two weeks ex works.

Reel selection table

for the application samples 6 and 7, random wrap, horizontal cable payout

Trommelflex Pur - H 4 x 1,5 mm², Ø 11,2 mm, 0,155 kg/m

l(m)	h(m)	~f(m)	LZ~	Reel type	weight (kg)	nv(U)	n(U)	Z(N)	Order No.
7	1,0	0,5	1,7	VLF155-1-908-4-26	3,1	2	13	40	902 010
12	1,0	0,6	1,9	VLF180-1-931-4-26	9,0	2	19	60	902 020
22	1,5	1,0	3,0	VLF220-2-951H4-26	19,0	4	31	100	902 102
30	1,5	1,1	2,0	VLF300-2-972H4-26	52,0	12	30	165	902 293
35	1,5	1,0	1,4	VLF420-2-983-4-36	56,0	2	25	240	901 595
40	1,5	1,2	1,0	VLF530-2-985-4-36	110,0	3	24	260	901 592

Trommelflex Pur - H 5 x 1,5 mm², Ø 11,8 mm, 0,178 kg/m

l(m)	h(m)	~f(m)	LZ~	Reel type	weight (kg)	nv(U)	n(U)	Z(N)	Order No.
7	1,0	0,5	1,7	VLF155-1-908-5-26	3,1	2	13	40	902 016
8	1,0	0,7	2,0	VLF155-2-908H5-26	3,7	10	15	40	902 015
12	0,5	0,6	2,1	VLF180-1-931-5-26	10,5	2	19	60	902 040
16	0,5	0,3	2,4	VLF220-2-951-5-26	19,0	2	18	200	902 131
28	1,5	1,1	2,0	VLF300-2-972H5-26	52,0	11	28	165	902 325
34	1,5	1,0	1,4	VLF420-2-983-5-36	56,0	2	24	240	902 442
37	1,5	1,2	1,0	VLF530-2-985-5-36	110,0	3	22	260	901 593

Trommelflex Pur - H 7 x 1,5 mm², Ø 13,5 mm, 0,218 kg/m

l(m)	h(m)	~f(m)	LZ~	Reel type	weight (kg)	nv(U)	n(U)	Z(N)	Order No.
7	0,5	0,5	1,8	VLF155-1-908-7-26	3,1	2	13	40	902 008
12	1,0	0,4	2,0	VLF220-1-951-7-26	18,0	3	16	100	902 160
22	1,0	1,0	1,8	VLF300-2-972H7-26	34,0	10	22	165	902 295
35	1,5	2,0	1,6	VLF420-2-953-7-36	57,0	6	25	240	901 567
43	1,5	2,0	1,2	VLF530-2-985-7-36	111,0	2	25	260	901 594

The spring reelers highlighted in blue are pre-assembled and available in two weeks ex works.

Reel selection table

for the application samples 6 and 7, random wrap, horizontal cable payout

Trommelflex Pur - H 12 x 1,5 mm², Ø 17 mm, 0,363 kg/m

l(m)	h(m)	~f(m)	LZ~	Reel type	weight (kg)	nv(U)	n(U)	Z(N)	Order No.
7	1,0	0,4	2,0	VLF180-1-931-12-26	10,0	10	12	60	902 058
20	1,5	0,9	2,0	VLF300-2-952-12-26	30,0	3	19	210	902 371
28	2,0	1,5	1,6	VLF420-2-983-12-36	58,0	5	20	240	902 503
34	1,5	1,1	1,3	VLF530-2-986-12-36	132,0	2	20	490	903 799
40	2,0	1,7	1,8	VLKG530-5-925-12-36	150,0	15	23	430	901 557

Trommelflex Pur - H 4 x 2,5 mm², Ø 12,3 mm, 0,208 kg/m

l(m)	h(m)	~f(m)	LZ~	Reel type	weight (kg)	nv(U)	n(U)	Z(N)	Order No.
7	1,0	0,5	2,0	VLF155-1-908-4-26	3,1	2	13	40	902 010
10	1,0	0,5	2,0	VLF180-1-931-4-26	10,5	3	18	60	902 020
14	0,5	0,3	2,2	VLF220-2-951-4-26	19,5	2	18	200	902 101
25	1,5	1,0	1,9	VLF300-2-972H4-26	52,0	17	25	165	902 293
33	1,5	1,2	1,4	VLF420-2-983-4-36	56,0	3	24	240	901 595
37	2,0	1,4	1,0	VLF530-2-985-4-36	110,0	5	22	265	901 592

Trommelflex Pur - H 5 x 2,5 mm², Ø 13 mm, 0,23 kg/m

l(m)	h(m)	~f(m)	LZ~	Reel type	weight (kg)	nv(U)	n(U)	Z(N)	Order No.
7	1,0	0,5	1,9	VLF155-1-908-5-26	3,1	2	13	40	902 016
10	1,0	0,6	3,0	VLF180-1-931-5-26	10,8	3	18	120	902 040
14	0,5	0,6	2,2	VLF220-2-951H5-26	19,5	4	18	100	902 132
22	1,0	0,7	1,7	VLF300-2-952-5-26	31,0	2	22	210	902 321
25	1,5	1,1	1,9	VLF300-2-972H5-26	52,0	17	25	165	902 325
30	1,5	1,1	1,4	VLF420-2-983-5-36	56,0	5	22	240	902 442
37	2,0	1,5	1,1	VLF530-2-985-5-36	110,0	5	22	267	901 593

Trommelflex Pur - H 7 x 2,5 mm², Ø 14,7 mm, 0,315 kg/m

l(m)	h(m)	~f(m)	LZ~	Reel type	weight (kg)	nv(U)	n(U)	Z(N)	Order No.
10	1,0	0,7	3,0	VLF180-1-931-7-26	11,0	3	18	60	902 043
14	1,0	0,4	2,5	VLF220-2-951-7-26	20,0	2	18	200	902 162
22	1,5	0,9	1,9	VLF300-2-952-7-26	31,0	2	22	210	902 351
26	2,0	1,6	2,2	VLF300-2-972H7-26	52,0	17	25	165	902 295
31	2,0	1,6	1,6	VLF420-2-983-7-36	57,0	4	23	240	902 483
34	2,0	1,7	1,1	VLF530-2-985-7-36	110,0	7	20	267	901 594

The spring reelers highlighted in blue are pre-assembled and available in two weeks ex works.

Trommelflex Pur - H 12 x 2,5 mm², Ø 20,5 mm, 0,485 kg/m

l(m)	h(m)	~f(m)	LZ~	Reel type	weight (kg)	nv(U)	n(U)	Z(N)	Order No.
10	1,5	1,0	2,0	VLF220-1-951-12-26	19,5	4	15	100	902 183
20	1,5	1,1	2,4	VLF300-2-952-12-26	30,0	6	18	210	902 371
25	2,0	1,6	1,7	VLF300-2-972-12-36	58,0	10	17	240	902 375
35	2,0	1,5	1,5	VLF530-2-986-12-36	132,0	2	20	490	903 799

Trommelflex Pur - H 4 x 4 mm², Ø 13,4 mm, 0,28 kg/m

l(m)	h(m)	~f(m)	LZ~	Reel type	weight (kg)	nv(U)	n(U)	Z(N)	Order No.
7	1,0	0,5	2,0	VLF155-1-908-4-40	3,1	2	13	40	901 573
10	2,0	0,5	2,0	VLF180-1-931-4-40	8,5	4	17	60	901 102
17	1,5	1,0	2,7	VLF220-2-951H4-40	20,0	14	21	100	902 114
22	1,5	1,0	1,8	VLF300-2-952-4-40	31,0	2	22	200	902 301
29	1,5	1,7	1,4	VLF420-2-983-4-42	57,0	7	20	240	902 412
33	1,5	1,6	1,0	VLF530-2-986-4-42	90,0	2	20	245	903 806

Trommelflex Pur - H 4 x 6 mm², Ø 14,9 mm, 0,372 kg/m

l(m)	h(m)	~f(m)	LZ~	Reel type	weight (kg)	nv(U)	n(U)	Z(N)	Order No.
10	1,5	0,5	2,0	VLF220-1-951-4-60	19,0	3	16	100	902 120
19	1,5	1,0	1,8	VLF300-1-972-4-60	28,0	2	19	165	901 401
25	1,5	1,2	1,3	VLF420-2-983-4-60	57,0	8	18	240	902 424
30	1,5	1,6	1,0	VLF530-2-985-4-60	110,0	9	18	267	901 581

Trommelflex Pur - H 4 x 10 mm², Ø 18,8 mm, 0,61 kg/m

l(m)	h(m)	~f(m)	LZ~	Reel type	weight (kg)	nv(U)	n(U)	Z(N)	Order No.
10	1,5	0,9	2,0	VLF220-1-951-4-60	19,0	3	15	100	902 120
20	1,5	1,0	2,2	VLF300-2-972-4-60	28,0	2	19	330	902 313
23	1,5	1,7	1,6	VLF420-2-953-4-60	55,0	10	17	260	902 421
30	1,5	1,4	1,3	VLF530-2-986-4-60	131,0	4	18	490	903 782

Trommelflex Pur - H 4 x 16 mm², Ø 22,1 mm, 0,924 kg/m

l(m)	h(m)	~f(m)	LZ~	Reel type	weight (kg)	nv(U)	n(U)	Z(N)	Order No.
12	1,5	1,0	2,0	VLF300-2-952-4-125	32,0	13	12	200	901 122
16	1,5	1,0	2,0	VLF300-2-972-4-125	36,0	4	16	330	901 267
20	1,5	1,0	1,1	VLF530-2-986-4-150	131,0	10	12	490	903 785

Trommelflex Pur - H 4 x 25 mm², Ø 25,5 mm 1,222 kg/m

l(m)	h(m)	~f(m)	LZ~	Reel type	weight (kg)	nv(U)	n(U)	Z(N)	Order No.
10	1,5	0,8	2,0	VLF420-2-983-4-150	62,0	19	8	240	902 430
18	1,5	1,0	1,1	VLF530-2-986-4-150	132,0	19	10	490	903 785

The spring reelers highlighted in blue are pre-assembled and available in two weeks ex works.

Reel selection table

for the application sample 8, random wrap, horizontal/vertical cable payout or steeply sloping

Trommelflex Pur - H 4 x 1,5 mm², Ø 11,2 mm, 0,155 kg/m

l(m)	LZ~	Reel type	weight (kg)	nv(U)	n(U)	Z(N)	Order No.
7	2,0	VLF155-1-908-4-26	3,1	2	13	40	902 010
9	2,0	VLF155-2-908H4-26	3,7	4	16	40	902 012
12	2,0	VLF180-1-931-4-26	9,0	2	19	60	902 020
18	2,0	VLF180-2-931H4-26	11,0	4	30	60	902 022
26	4,0	VLF220-2-951H4-26	19,0	6	31	100	902 102
35	4,0	VLF300-2-952H4-26	28,0	4	36	100	902 291
50	2,0	VLF301-3-972H4-26	58,0	9	51	165	901 587
64	1,0	VLF530-2-986H4-36	115,0	4	38	250	901 566

Trommelflex Pur - H 5 x 1,5 mm², Ø 11,8 mm, 0,178 kg/m

l(m)	LZ~	Reel type	weight (kg)	nv(U)	n(U)	Z(N)	Order No.
7	3,0	VLF155-1-908-5-26	3,1	2	13	40	902 016
8	3,0	VLF155-2-908H5-26	3,7	6	16	40	902 015
12	2,0	VLF180-1-931-5-26	9,5	3	18	60	902 040
18	3,0	VLF180-2-931H5-26	11,3	4	30	60	902 042
25	4,0	VLF220-2-951H5-26	19,0	4	33	100	902 132
31	3,0	VLF300-2-952H5-26	28,0	4	33	100	902 322
33	2,0	VLF300-2-972H5-26	32,0	6	34	165	902 325
50	3,0	VLF301-3-972H5-26	38,0	9	51	165	901 525
64	2,0	VLF530-2-986H5-36	115,0	6	38	260	903 818

Trommelflex Pur - H 7 x 1,5 mm², Ø 13,5 mm, 0,218 kg/m

l(m)	LZ~	Reel type	weight (kg)	nv(U)	n(U)	Z(N)	Order No.
7	2,0	VLF155-1-908-7-26	3,1	2	13	40	902 008
10	2,0	VLF180-1-931-7-26	10,0	3	15	60	902 043
12	2,0	VLF220-1-951-7-26	18,0	3	16	100	902 160
20	4,0	VLF220-2-951H7-26	20,0	4	25	100	902 116
24	5,0	VLF221-2-951H7-26	22,8	4	33	100	902 282
34	3,0	VLF300-2-972H7-26	34,0	4	34	165	902 295
41	3,0	VLF301-3-972H7-26	40,0	9	51	165	901 556
49	3,0	VLF420-2-984H7-36	59,0	4	36	240	902 486
63	2,0	VLF530-2-986H7-36	115,0	4	38	260	903 796

The spring reelers highlighted in blue are pre-assembled and available in two weeks ex works.

Trommelflex Pur - H 12 x 1,5 mm², Ø 17,0 mm, 0,363 kg/m

l(m)	LZ~	Reel type	weight (kg)	nv(U)	n(U)	Z(N)	Order No.
7	2,0	VLf180-1-931-12-26	10,0	10	12	60	902 058
12	3,0	VLf220-1-951-12-26	19,0	2	17	100	902 183
15	3,0	VLf220-2-951H12-26	22,5	14	22	100	901 364
22	3,0	VLf300-2-952-12-26	30,0	3	22	100	902 371
26	3,0	VLf300-2-972H12-26	36,0	6	26	165	901 588
32	2,0	VLf420-2-983-12-36	58,0	3	24	240	902 503
40	3,0	VLf420-2-953-12-36	60,0	3	29	260	902 501
50	1,8	VLKG530-5-925-12-36	128,0	4	29	400	901 557

Trommelflex Pur - H 18 x 1,5 mm², Ø 18,1 mm, 0,459 kg/m

l(m)	LZ~	Reel type	weight (kg)	nv(U)	n(U)	Z(N)	Order No.
7	2,0	VLf220-1-951-18-26	20,5	7	10	100	902 115
12	2,7	VLf221-2-951H18-26	25,0	18	17	200	902 281
23	3,0	VLf300-2-952-18-26	31,0	3	22	200	902 377
28	2,0	VLf420-2-983-18-36	58,0	3	24	240	902 510
31	3,0	VLf420-2-953-18-36	61,0	3	29	255	901 151
34	2,0	VLf530-2-985-18-36	126,0	3	23	280	903 801
48	2,0	VLKG530-5-925-18-36	150,0	6	27	500	901 558

Trommelflex Pur - H 24 x 1,5 mm², Ø 20,9 mm, 0,590 kg/m

l(m)	LZ~	Reel type	weight (kg)	nv(U)	n(U)	Z(N)	Order No.
9	2,0	VLf300-1-952-24-36	28,0	8	10	100	902 378
19	3,0	VLf300-2-952-24-36	31,0	7	18	200	902 380
22	2,0	VLf420-2-953-24-36	61,0	12	19	260	902 520
25	2,0	VLf420-2-984-24-36	67,0	3	18	465	901 409
32	2,0	VLf530-2-986-24-36	118,0	3	19	490	903 803
36	1,7	VLK530-4-925-24-36	128,0	5	20	480	901 559
45	2,1	VLKG530-6-925-24-36	155,0	8	25	600	901 560

The spring reelers highlighted in blue are pre-assembled and available in two weeks ex works.

Reel selection table

for the application sample 8, random wrap, horizontal/vertical cable payout or steeply sloping

Trommelflex Pur - H 30 x 1,5 mm², Ø 24,0 mm, 0,720 kg/m

l(m)	LZ~	Reel type	weight (kg)	nv(U)	n(U)	Z(N)	Order No.
8	2,0	VLF300-1-952-30-36	28,0	10	10	100	902 390
16	2,0	VLF300-2-952-30-36	31,0	12	13	210	900 316
18	3,0	VLF300-2-972-30-36	33,0	3	17	330	901 561
20	2,0	VLF420-2-953-30-36	65,0	9	16	260	901 437
22	2,0	VLF420-2-984-30-36	66,0	3	17	470	902 472
25	3,0	VLF421-2-984-30-36	69,0	3	18	470	901 562
32	1,5	VLF530-2-986-30-36	118,0	3	19	500	903 805
30	1,8	VLK530-4-925-30-36	128,0	10	17	480	901 563
38	1,9	VLKG530-6-925-30-36	155,0	6	21	600	901 564

Trommelflex Pur - H 4 x 2,5 mm², Ø 12,3 mm, 0,208 kg/m

l(m)	LZ~	Reel type	weight (kg)	nv(U)	n(U)	Z(N)	Order No.
7	2,0	VLF155-1-908-4-26	3,1	2	13	40	902 010
10	2,0	VLF180-1-931-4-26	10,5	3	18	60	902 020
16	2,0	VLF180-2-931H4-26	11,0	10	28	60	902 022
26	4,0	VLF220-2-951H4-26	19,5	6	32	100	902 102
27	4,0	VLF300-2-952H4-26	25,0	9	28	100	902 291
34	4,0	VLF300-2-972H4-26	52,0	6	28	165	902 293
45	3,0	VLF301-3-972H4-26	55,0	9	51	165	901 587
48	2,0	VLF420-2-984H4-36	56,0	6	36	235	901 393
64	2,0	VLF530-2-986H4-36	114,0	6	38	250	901 566

Trommelflex Pur - H 5 x 2,5 mm², Ø 13,0 mm, 0,230 kg/m

l(m)	LZ~	Reel type	weight (kg)	nv(U)	n(U)	Z(N)	Order No.
7	2,0	VLF155-1-908-5-26	3,1	2	13	40	902 016
11	2,0	VLF180-1-931-5-26	10,0	3	18	60	902 040
14	2,0	VLF180-2-931H5-26	11,0	13	25	60	902 042
23	3,0	VLF220-2-951H5-26	19,5	6	32	100	902 132
34	3,0	VLF300-2-972H5-26	52,0	6	34	165	902 325
39	3,0	VLF301-3-972H5-26	58,0	9	51	165	901 525
49	3,0	VLF420-2-984H5-36	61,0	6	36	240	900 825
61	2,0	VLF530-2-986H5-36	112,0	6	38	250	903 818

The spring reels highlighted in blue are pre-assembled and available in two weeks ex works.

Trommelflex Pur - H 7 x 2,5 mm², Ø 14,7 mm, 0,315 kg/m

l(m)	LZ~	Reel type	weight (kg)	nv(U)	n(U)	Z(N)	Order No.
5	2,0	VLF155-1-908-7-26	4,0	4	10	40	902008
10	2,0	VLF180-1-931-7-26	10,0	4	17	60	902 043
12	3,0	VLF220-1-951-7-26	18,0	3	16	100	902 160
17	3,0	VLF220-2-951H7-26	19,0	10	25	100	902 116
18	4,0	VLF221-2-951H7-26	20,0	10	25	100	902 282
30	3,0	VLF300-2-972H7-26	34,0	8	30	240	902 295
39	2,0	VLF420-2-953-7-36	59,0	3	29	260	901 567
43	2,0	VLF420-2-984H7-36	62,0	6	36	240	902 486
47	2,0	VLF530-2-986H7-36	115,0	6	38	250	903 796
50	1,3	VLKG530-5-925-7-36	130,5	4	29	400	901 568

Trommelflex Pur - H 12 x 2,5 mm², Ø 20,5 mm, 0,485 kg/m

l(m)	LZ~	Reel type	weight (kg)	nv(U)	n(U)	Z(N)	Order No.
10	3,0	VLF220-1-951-12-26	19,5	4	15	100	902 183
12	3,0	VLF221-2-951H12-26	23,5	15	17	100	902 283
23	3,0	VLF300-2-952-12-26	30,0	3	22	210	902 371
28	2,0	VLF420-2-983-12-36	58,0	7	20	240	902 503
30	3,0	VLF420-2-953-12-36	69,0	10	22	260	902 501
33	2,0	VLF530-2-985-12-36	110,0	7	19	280	903 810
40	1,8	VLK530-4-925-12-36	128,0	4	23	480	901 569
50	2,1	VLKG530-6-925-12-36	145,0	5	28	600	901 570

Trommelflex Pur - H 18 x 2,5 mm², Ø 20,6 mm, 0,679 kg/m

l(m)	LZ~	Reel type	weight (kg)	nv(U)	n(U)	Z(N)	Order No.
8	2,0	VLF220-1-951-18-26	20,5	7	10	100	902 115
16	3,0	VLF300-2-952-18-36	32,0	10	15	200	903 836
17	3,0	VLF300-2-972-18-36	34,0	3	17	330	901 129
20	2,0	VLF420-2-983-18-36	60,0	13	14	240	902 510
21	2,0	VLF420-2-953-18-36	62,0	14	16	260	901 151
24	2,0	VLF420-2-984-18-36	63,0	3	18	470	902 522
32	2,0	VLF530-2-986-18-36	110,0	3	19	500	903 802
35	1,5	VLKG530-5-925-18-36	143,0	7	20	600	901 558
43	1,9	VLKG530-6-925-18-36	145,0	3	24	725	901 571

The spring reelers highlighted in blue are pre-assembled and available in two weeks ex works.

Reel selection table

for the application sample 8, random wrap, horizontal/vertical cable payout or steeply sloping

Trommelflex Pur - H 24 x 2,5 mm², Ø 23,6 mm, 0,860 kg/m

l(m)	LZ~	Reel type	weight (kg)	nv(U)	n(U)	Z(N)	Order No.
11	2,0	VLF300-1-972-24-36	35,0	5	10	165	901 438
22	3,0	VLF300-2-972-24-36	38,0	2	18	330	902 294
25	3,0	VLF421-2-984-24-36	64,0	3	18	470	901 572
33	2,0	VLF530-2-986-24-36	110,0	3	19	490	903 803
28	1,6	VLKG530-5-925-24-36	143,0	11	16	600	901 538
38	2,0	VLKG530-6-925-24-36	145,0	6	21	725	901 560

Trommelflex Pur - H 30 x 2,5 mm², Ø 28,2 mm, 1,080 kg/m

l(m)	LZ~	Reel type	weight (kg)	nv(U)	n(U)	Z(N)	Order No.
7	1,0	VLF420-1-983-30-36	57,0	19	6	120	902 525
14	2,0	VLF420-2-983-30-36	60,0	17	10	240	901 115
15	2,0	VLF420-2-953-30-36	62,0	20	11	260	901 437
20	2,0	VLF420-2-984-30-36	65,0	7	14	470	902 472
26	3,0	VLF421-2-984-30-36	67,0	3	18	470	901 562
30	2,0	VLF530-2-986-30-36	110,0	5	17	500	903 805
32	2,0	VLKG530-6-925-30-36	145,0	9	18	725	901 564

Trommelflex Pur - H 4 x 4 mm², Ø 13,6 mm, 0,281 kg/m

l(m)	LZ~	Reel type	weight (kg)	nv(U)	n(U)	Z(N)	Order No.
5	2,0	VLF155-1-908-4-40	3,5	3	11	40	901 573
10	3,0	VLF180-1-931-4-40	10,5	4	17	60	901 102
12	3,0	VLF220-1-951-4-40	18,0	3	16	100	902 110
17	2,0	VLF220-2-951H4-40	20,0	12	22	100	902 114
20	3,0	VLF221-2-951H4-40	21,0	10	26	100	902 214
22	1,9	VLF300-2-952H4-40	31,0	2	23	100	902 302
34	3,0	VLF300-2-972H4-40	37,0	6	34	180	901 315
39	2,0	VLF420-2-953-4-42	60,0	3	29	260	901 574
48	3,0	VLF420-2-984H4-42	64,0	6	36	470	901 575
52	2,0	VLF530-2-986H4-42	104,0	6	38	250	901 576

The spring reelers highlighted in blue are pre-assembled and available in two weeks ex works.

Trommelflex Pur - H 5 x 4 mm², Ø 14,5 mm, 0,318 kg/m

l(m)	LZ~	Reel type	weight (kg)	nv(U)	n(U)	Z(N)	Order No.
5	2,0	VLF155-1-908-5-40	4,0	3	11	40	902 019
8	2,0	VLF180-1-931-5-40	11,0	7	14	60	901 287
12	3,0	VLF220-1-951-5-40	18,0	3	16	100	902 140
17	3,0	VLF220-2-951H5-40	20,0	12	22	100	902 143
21	2,0	VLF300-2-952-5-40	28,0	3	22	200	902 330
29	3,0	VLF300-2-972H5-40	31,0	8	29	165	901 363
32	2,0	VLF420-2-983-5-42	58,0	3	24	240	902 452
39	2,0	VLF420-2-953-5-42	60,0	3	29	260	901 577
42	3,0	VLF420-2-984H5-42	63,0	6	36	240	901 578
45	2,0	VLF530-2-986H5-42	110,0	6	38	250	901 579

Trommelflex Pur - H 4 x 6 mm², Ø 14,9 mm, 0,372 kg/m

l(m)	LZ~	Reel type	weight (kg)	nv(U)	n(U)	Z(N)	Order No.
12	3,0	VLF220-1-951-4-60	19,0	3	16	100	902 120
15	3,0	VLF220-2-951H4-60	20,0	14	18	100	902 107
25	3,0	VLF300-2-972H4-60	59,0	13	25	165	901 309
32	2,0	VLF420-2-983-4-60	56,0	3	24	240	902 424
39	2,0	VLF420-2-953-4-60	59,0	3	29	260	902 421
42	1,6	VLF530-4-925-4-60	130,5	3	24	400	901 565

Trommelflex Pur - H 5 x 6 mm², Ø 16,1 mm, 0,435 kg/m

l(m)	LZ~	Reel type	weight (kg)	nv(U)	n(U)	Z(N)	Order No.
9	2,0	VLF220-1-951-5-60	18,0	7	12	100	902 150
12	3,0	VLF220-2-951-5-60	20,0	3	16	200	902 142
13	3,0	VLF220-2-951H5-60	22,0	16	18	100	901 499
22	3,0	VLF300-2-952-5-60	31,0	3	22	200	902 341
31	2,0	VLF420-2-983-5-60	57,0	3	24	240	902 464
34	2,0	VLF420-2-953-5-60	59,0	6	26	260	902 461
37	2,0	VLF530-2-985-5-60	112,0	3	23	280	903 808
42	1,4	VLF530-4-925-5-60	130,5	3	24	480	901 580

The spring reels highlighted in blue are pre-assembled and available in two weeks ex works.

Reel selection table

for the application sample 8, random wrap, horizontal/vertical cable payout or steeply sloping

Trommelflex Pur - H 4 x 10 mm², Ø 18,9 mm, 0,615 kg/m

l(m)	LZ~	Reel type	weight (kg)	nv(U)	n(U)	Z(N)	Order No.
7	2,0	VLF220-1-951-4-60	19,0	9	10	100	901 120
13	3,0	VLF220-2-951-4-60	21,0	2	16	200	902 123
15	2,0	VLF300-2-972H4-60	30,0	18	17	165	901 309
18	2,0	VLF300-2-952-4-60	31,0	5	20	200	902 311
22	2,0	VLF420-2-983-4-60	56,0	11	16	240	902 424
24	2,0	VLF420-2-953-4-60	59,0	16	16	260	902 421
26	2,0	VLF530-2-985-4-60	108,0	11	15	280	901 581
32	2,0	VLF530-2-986-4-60	110,0	3	19	500	903 782
42	1,7	VLKG530-5-925-4-60	135,0	3	24	600	901 582
44	2,1	VLKG530-6-925-4-60	148,0	8	25	600	901 583

Trommelflex Pur - H 4 x 16 mm², Ø 22,1 mm, 0,924 kg/m

l(m)	LZ~	Reel type	weight (kg)	nv(U)	n(U)	Z(N)	Order No.
6	1,0	VLF300-1-952-4-125	29,0	17	7	100	901 443
12	2,0	VLF300-2-952-4-125	32,0	13	12	200	901 122
18	2,0	VLF300-2-972-4-125	36,0	3	17	330	901 267
25	2,0	VLF420-2-984-4-150	64,0	3	18	470	901 317
31	2,0	VLF530-2-986-4-150	115,0	4	18	500	903 785
35	2,1	VLKG530-6-925-4-125	150,0	3	24	720	901 584

Trommelflex Pur - H 4 x 25 mm², Ø 25,5 mm, 1,222 kg/m

l(m)	LZ~	Reel type	weight (kg)	nv(U)	n(U)	Z(N)	Order No.
10	2,0	VLF420-2-983-4-150	62,0	19	8	240	902 430
20	2,0	VLF420-2-984-4-150	64,0	6	15	470	901 317
21	2,0	VLF421-2-984-4-150	67,0	4	17	470	901 585
23	2,0	VLF530-2-986-4-150	115,0	10	12	500	903 785
25	1,5	VLKG530-6-925-4-150	150,0	13	14	720	901 586

Trommelflex Pur - H 4 x 35 mm², Ø 30,0 mm, 1,780 kg/m

l(m)	LZ~	Reel type	weight (kg)	nv(U)	n(U)	Z(N)	Order No.
8	1,0	VLF420-2-953-4-150	66,0	24	7	260	902 427
15	2,0	VLF420-2-984-4-150	68,0	10	11	470	901 317
17	2,0	VLF530-2-986-4-150	115,0	12	10	500	903 785
19	1,3	VLKG530-6-925-4-150	150,0	17	10	720	901 586

The spring reelers highlighted in blue are pre-assembled and available in two weeks ex works.

Cable reels (with fixing flange)

Random wrap - Dimensions

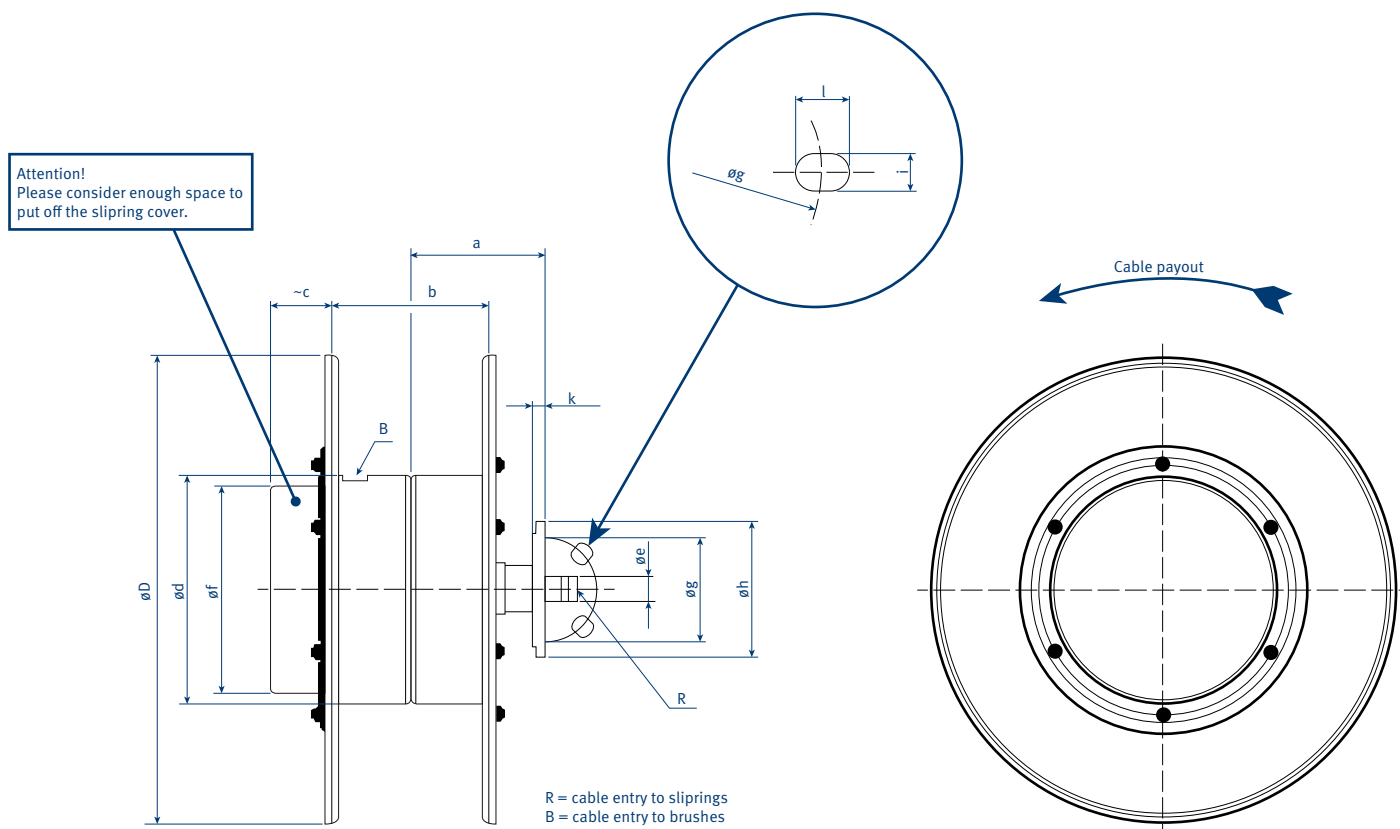


Table 6: Reel dimensions (mm)

Type ⁽¹⁾	$\varnothing d$	$\varnothing D$	b	a	$\sim c$	$\varnothing f$	e	$\varnothing g$	$\varnothing h$	i	l	k	weight ⁽²⁾ kg
VLF 155	155	260	110	101,5	80	155	25	65	85	4 x $\varnothing 9$	-	10	2,5
VLF 180	180	290	130	113	110	170	25	65	85	4 x $\varnothing 9$	-	10	6,5
VLF 220	220	400	120	114	80	220	25	100	130	4 x $\varnothing 13$	20	9	13,0
VLF 221	220	450	150	130	80	220	25	100	130	4 x $\varnothing 13$	20	9	14,0
VLF 222	220	450	170	139	50	220	25	100	130	4 x $\varnothing 13$	20	12	14,0
VLF 300	300	550	190	165	125	300	35	100	135	4 x $\varnothing 13$	20	20	16,0
VLF 301	300	550	285	213	80	300	35	100	135	4 x $\varnothing 13$	21	20	18,0
VLF 420	420	680	240	200	165	420	45	130	178	4 x $\varnothing 17$	23	20	35,0
VLF 421	420	770	240	200	165	420	45	170	215	4 x $\varnothing 17$	23	20	40,0
VLF 530	530	900	310	255	85	420	60	200	250	4 x $\varnothing 18$	32	23	80,0

Spring reference	908	931	951	952	953	972	983	984	985	986
weight approx. kg	0,868	2,286	2,994	5,288	10,610	5,891	8,532	10,846	15,120	21,510

1) Full type details in selection chart

2) Base weight w/o springs (3 poles + PE)

Total weight = Base weight + weight of springs

Cable reels (with fixing flange)

Random wrap - Dimensions

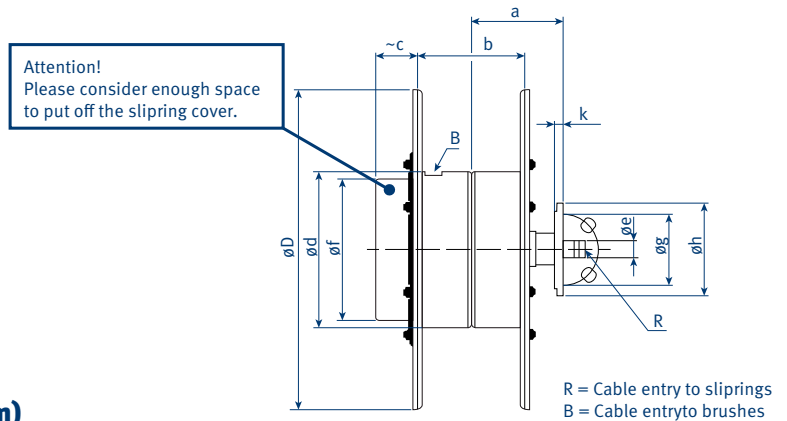


Table 7: Max. pole amounts · Cover dimensions (mm)

Type ⁽¹⁾	Amps ⁽²⁾	Dim. "c" of enclosures (mm) for Std. Assys incl. Ground (staggered)								Drilling drum shaft mm	Cable gland M	
		3	4	6	7	11	17	23	29		R	B
VLF 155	26	60	80	80	100					14	M20 x 1,5	M20 x 1,5
VLF 180	26	50	50	90						18	M20 x 1,5	M20 x 1,5
VLF 180	40	50	50	90	90					18	M20 x 1,5	M20 x 1,5
VLF 220	26	50	50	100	100	150				18	M20 x 1,5	M32 x 1,5
VLF 220	42	75	75	100	100	200				18	M20 x 1,5	M32 x 1,5
VLF 220	40	50	50	100	100	150				18	M20 x 1,5	M32 x 1,5
VLF 220	60	75	100							18	M20 x 1,5	M32 x 1,5
VLF 221	26	50	50	75	75	130				18	M20 x 1,5	M32 x 1,5
VLF 221	42	50	50	75	100	130				18	M20 x 1,5	M32 x 1,5
VLF 221	40	50	50	75						18	M20 x 1,5	M32 x 1,5
VLF 221	60	50	75	100						18	M20 x 1,5	M32 x 1,5
VLF 222	26	50	50	100	100	150				18	M20 x 1,5	M32 x 1,5
VLF 222	42	75	75	100	100	200				18	M20 x 1,5	M32 x 1,5
VLF 222	40	50	50	100	100	150				18	M20 x 1,5	M32 x 1,5
VLF 222	60	75	100							18	M20 x 1,5	M32 x 1,5
VLF 300	26	80	80	80	120	150				24	M32 x 1,5 ⁽³⁾	M40 x 1,5
VLF 300	42	80	80	120	120	200		320		24	M32 x 1,5 ⁽³⁾	M40 x 1,5
VLF 300	40	80	80	80	120					24	M32 x 1,5 ⁽³⁾	M40 x 1,5
VLF 300	60	80	80							24	M32 x 1,5 ⁽³⁾	M40 x 1,5
VLF 301	26	20	20	90	90	130				16	M20 x 1,5	M40 x 1,5
VLF 301	42	20	90	90	90	90		180		16	M20 x 1,5	M40 x 1,5
VLF 301	40	20	20	90	90	130				16	M20 x 1,5	M40 x 1,5
VLF 301	60	20	90	90	90					16	M20 x 1,5	M40 x 1,5
VLF 420/421	42	85	85	135	135	165	265	335		32	M32 x 1,5 ⁽³⁾	M50 x 1,5
VLF 420/421	60	85	85							32	M32 x 1,5 ⁽³⁾	M50 x 1,5
VLF 420/421	150	85	85							32	M32 x 1,5 ⁽³⁾	M50 x 1,5
VLF 530	42	85	85	85	85	85	155	270	400	40	M50 x 1,5	M63 x 1,5
VLF 530	60	85								40	M50 x 1,5	M63 x 1,5
VLF 530	150	85								40	M50 x 1,5	M63 x 1,5

1) Full type details in selection chart
 2) Current rating with 100% duty cycle
 3) Springs with 3 drive spring -> R = M20 x 1,5

Cable reels (with console)

Random wrap - Dimensions

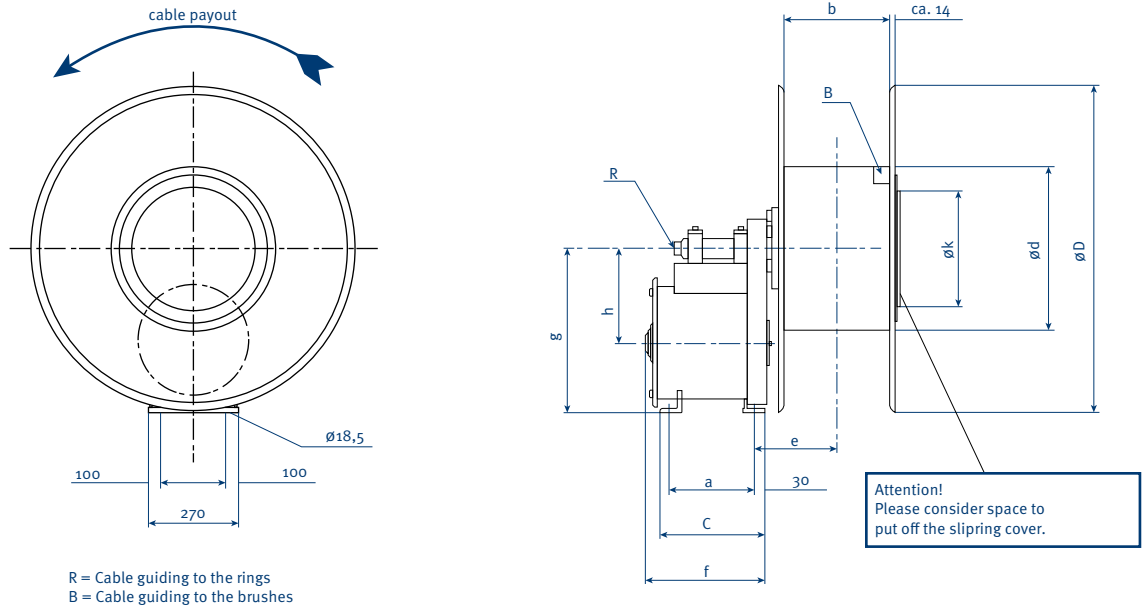


Tabelle 8: Reel dimensions (mm)

Type ⁽¹⁾	Drum Dimensions			a	c	e	f	g	h	k	weight ⁽²⁾ kg
	ø d	ø D	ø b								
VLK 700	700	1200	350	260	320	255	358	500	290	370	130
VLKG 700	700	1200	350	390	446	255	488	500	290	370	145

Spring reference	924	925
weight approx. kg	8,265	10,935

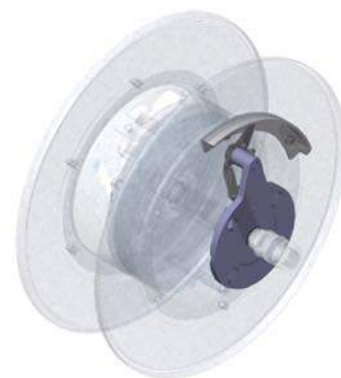
Table 9: Max. pole amounts · Cover dimensions (mm)

Type ⁽¹⁾	Amps ⁽³⁾	Dim. of enclosures (mm) for Std. Assys incl. Ground (staggered)					Cable gland M	
		7	11	17	23	29	R	B
VLK 700	42	–	–	50	105	200	M50 x 1,5	depending on reel body (measurement upon request)
VLKG 700	42	–	–	50	105	200	M50 x 1,5	

1) Full type details in selection chart
 2) Base weight w/o springs (3 poles + PE)
 Total weight = Base weight + weight of springs
 3) Current rating with 100% duty cycle

Accessories

Ratchet device, rotating, wall mounting



Ratchet Device (one lock position per full reel turn)

Type	for reel	Order-No.
EKV 155	VLf 155	901 720
EKV 180	VLf 180	901 721
EKV 220	VLf 220/221	901 722
EKV 300	VLf 300	901 723
EKV 420	VLf 420/421	901 724
EKV 530	VLf 530	901 726



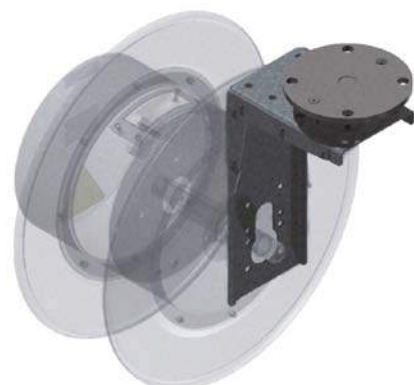
Swivel Base - Rotation 150° - Wall Mounting⁽¹⁾

Type	for reel	Order-No.
SWB 155	VLf 155	901 730
SWB 180	VLf 180	901 731
SWB 220	VLf 220/221	901 732
SWB 300	VLf 300	901 733
SWB 420	VLf 420/421	901 734
SWB 530	VLf 530	901 736

1) cable guide arm must be used

Accessories

Rotating ceiling mounting, free swinging eyelet type



Pivot Base · Rotation 300° · Ceiling Mounting

Type	for reel	Order-No.
SDB 155	VLf 155	901 740
SDB 180	VLf 180	901 741
SDB 220	VLf 220/221	901 742
SDB 300	VLf 300	901 743
SDB 420	VLf 420/421	901 744
SDB 530	VLf 530	901 746

1) cable guide arm must be used



Cable guide arm for free swinging eyelet type

Type	for reel	Order-No.
OFA 155	VLf 155	901 750
OFA 180	VLf 180	901 751
OFA 220	VLf 220	901 752
OFA 300	VLf 300	901 753

Accessories

Cable guide arm for free swinging roller type

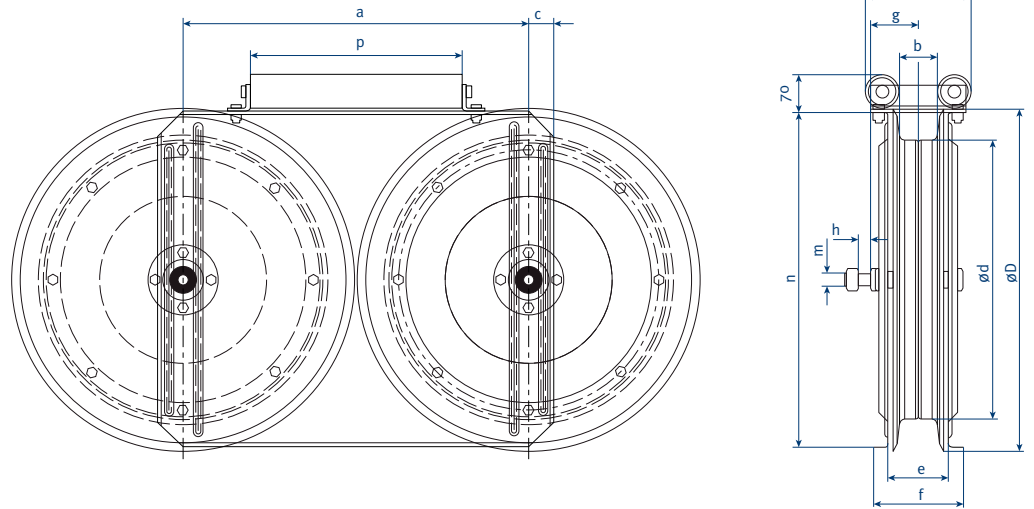


Cable guide arm for free swinging roller type

Type	for reel	Order-No.
RFA 155	VLf 155	901 754
RFA 180	VLf 180	901 755
RFA 220	VLf 220	901 756
RFA 300	VLf 300	901 757
RFA 420	VLf 420	901 758
RFA 421	VLf 421	901 759
RFA 530	VLf 530	901 810

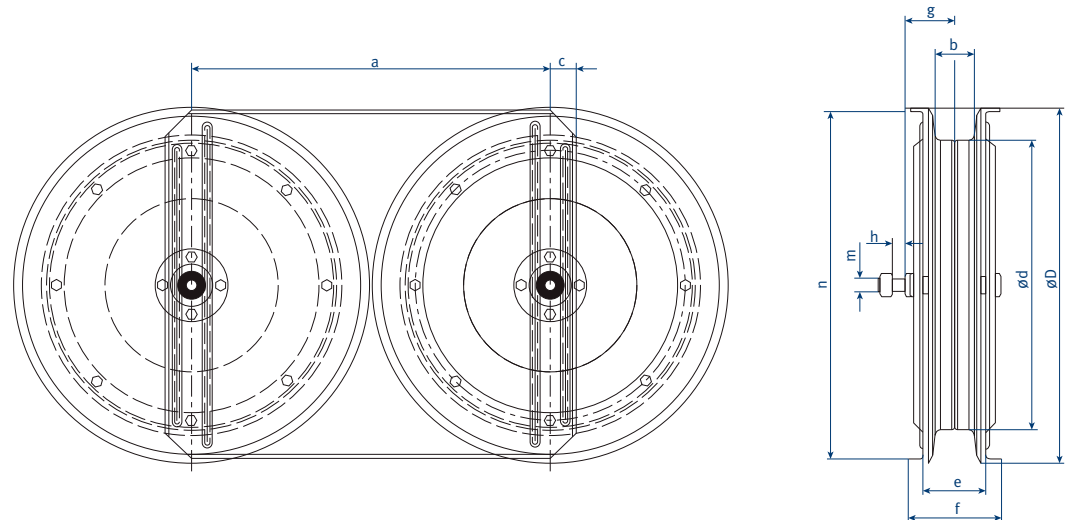
Accessories

Sheave guide



Sheave guide with additional top guide roller

Type	mm ²	a	b	c	ø d	ø D	e	f	g	h	m	n	o	p	Order-No.
SU-R 1	4 x 6	455	70	32,5	350	450	114	170	85	50	M 24	445	180	315	901 630
SU-R 2	4 x 16	655	70	47,5	503	650	114	170	85	50	M 24	640	180	400	901 631
SU-R 3	4 x 35	785	70	80	663	780	114	170	85	50	M 24	770	180	500	901 632
SU-R 4	4 x 70	905	75	80	783	900	114	170	85	50	M 24	890	180	600	901 633
SU-R 5	4 x 95	1105	80	73	900	1100	134	192	103	62	M 30	1090	210	800	901 634



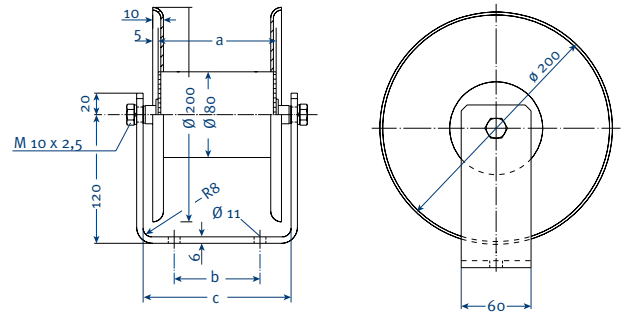
Sheave guide w/o top guide roller

Type	mm ²	a	b	c	ø d	ø D	e	f	g	h	m	n	o	p	Order-No.
SU 1	4 x 6	455	70	32,5	350	450	114	170	85	50	M 24	445	180	315	901 635
SU 2	4 x 16	655	70	47,5	503	650	114	170	85	50	M 24	640	180	400	901 636
SU 3	4 x 35	785	70	80	663	780	114	170	85	50	M 24	770	180	500	901 637
SU 4	4 x 70	905	75	80	783	900	114	170	85	50	M 24	890	180	600	901 638
SU 5	4 x 95	1105	80	73	900	1100	134	192	103	62	M 30	1090	210	800	901 639

Accessories

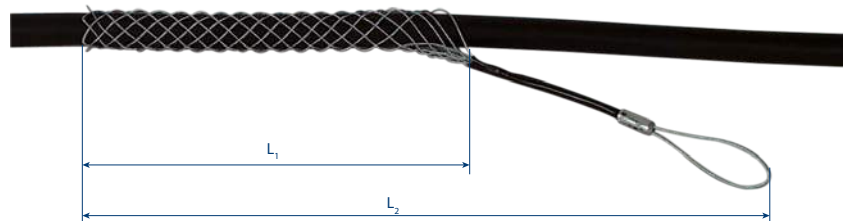
Cable support roller, cable wire grip

The support rollers will be supplied with screws and spring washers



Cable support roller

Type		weight kg	a	b	c	Order-No.
TR 80/110 B 200	w/o bracket	2,25	110	–	130	924 450
TR 80/300 B 200		3,25	300	–	320	924 460
TR 80/500 B 200		4,50	500	–	520	924 470
TR 80/110 B 200 H	with bracket	3,50	110	80	130	924 480
TR 80/300 B 200 H		5,15	300	250	320	924 490
TR 80/500 B 200 H		6,90	500	400	520	924 500



Cable wire grip

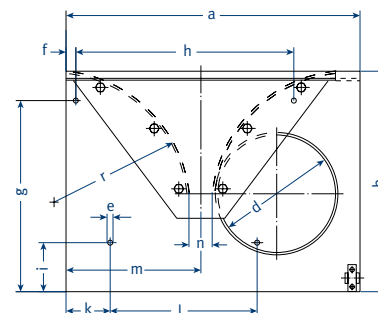
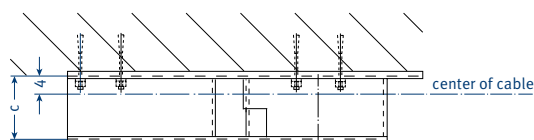
Type	for cable diameter (mm)	max. allowed tension ⁽¹⁾ kg	meshwork length dimension L ₁	meshwork length dimension L ₂	Order-No.
VLZK 6	4 – 7	60	100	275	900 391
VLZK 9	7 – 9	110	120	290	900 392
VLZK 12	9 – 12	130	135	340	900 393
VLZK 15	12 – 15	210	180	390	900 394
VLZK 20	15 – 20	260	220	450	900 395
VLZK 25	20 – 25	260	275	510	900 396
VLZK 30	25 – 30	400	350	610	900 397
VLZK 40	30 – 40	580	370	660	900 398

1) calculated with three-fold safety

Accessories

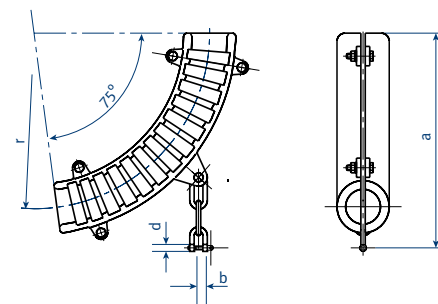
Feed-in funnel, turnover anchor clamps

For all travel speeds and frequent passing over center point.



Feed-in funnel incl. tension relief reel (for voltages upto 1000V)

Type	Cable diam. max. mm	a	b	c	d/r	e	f	g	h	i	k	l	m	n	weight kg	Order-No.
ETZ 3	34	650	530	106	275	14	40	405	400	200	120	300	270	60	15	921 380
ETZ 4	50	900	700	146	400	18	40	550	740	200	210	400	410	80	28	921 390
ETZ 5	62	220	900	208	500	18	40	780	900	200	180	600	480	100	52	921 400



Turnover anchor clamps (for voltages upto 1000V)

Type	weight kg	Cable diameter	r	a	d	b	Order-No.
LS 1	1,6	21,5	100	205	10	14	921 420
LS 2	2,5	> 21,5 – 28	130	225	10	14	921 430
LS 3	3,5	> 28 – 36,5	170	265	12	17	921 440
LS 4	5,5	> 36,5 – 48	220	300	12	17	921 450

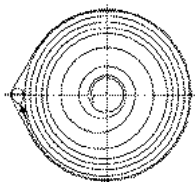
Spare parts

The following spare parts are available for all reelers listed in this catalogue.

For determination refer to related table, type label and type code.

Reel type

VLF	220	-	2	-	951H	-	4	-	26
VLF	530	-	2	-	985	-	4	-	150
VLKG	700	-	6	-	915	-	4	-	220 - A



Reel Series _____

Drum diameter _____

No. of Springs _____

Spring Series _____

No. of Poles incl. Ground _____

Amps _____

Suffix for opposite rotation _____

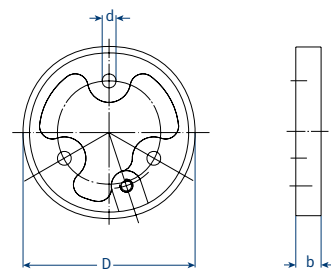
Springs

Type ⁽¹⁾	weight	drill hole mm	outer diam. mm	width mm	Order-No.
908	0,600	35	126	18	901 640
910	0,500	25	114	18	901 641
931	2,300	35	160	25	901 642
951	2,950	35	190	30	901 643
952	5,500	45	280	45	901 645
972	6,000	45	280	45	901 646
903	6,200	50	315	60	901 648
953	13,200	60	400	60	901 684
983	10,350	60	400	60	901 685
924	11,900	50	315	60	901 687
925	15,000	50	315	60	901 689
965	10,800	65	315	60	901 704
975	18,000	65	315	60	901 705
985	17,000	85	450	60	901 706
986	25,500	85	450	60	901 707

Note! Never remove springs from protection bandage and handle replaced springs carefully.

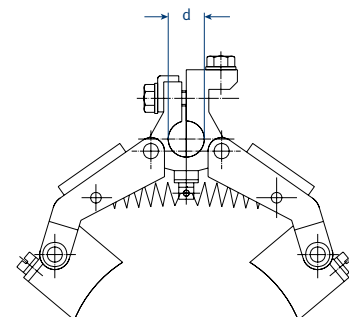
1) The spring types 908 to 986 substitute former types 508 to 586.

Spare parts



Sliprings

Amps A	Dimensions				Order-No.	
	D mm	d		b mm	Phase	Ground
		Phase	Ground			
26 ⁽¹⁾	50	8,5	5,5	10	901 670	901 671
36 ⁽²⁾	80	11,5	6,5	10	901 672	901 673
40	50	8,5	5,5	10	901 674	901 675
42	80	11,5	6,5	10	901 682	901 683
60	80	11,5	6,5	12	901 676	901 677
150	130	12,5	8,5	15	901 678	901 679
220	130	12,5	8,5	20	901 680	901 681



Brush Assemblies

Amps A	Dimensions d (mm)		Order-No.	
	Phase	Ground	Phase	Ground
26 ⁽¹⁾	10	8	901 690	901 691
36 ⁽²⁾	10	8	901 692	901 693
40	10	8	901 694	901 695
42	10	8	901 702	901 703
60	13	12	901 696	901 697
150	16	15	901 698	901 699
220	17	16	901 700	901 701

1 Corresponds to former type 25 A or 30 A

2 Corresponds to former type 30 A (max. cross section 2,5 mm²)
For larger cross sections use 42 A brush assembly.

Questionnaire

Co.: _____

Date: _____

Fon.: _____

Fax: _____

E-Mail: _____

Internet: _____

1. For what type of moving equipment is the reel ? _____
A rough sketch based on the typical applications shown on page 5 of this catalog is extremely valuable.

2. Reel installation height h= _____ m

3. Travel distance of equipment _____ m

4. Cable payout from center from one end

5. What is the max. cable length on the reel? l= _____ m
Midway feed-point cuts the length of cable needed in half.

6. Type of Cable (number of conductors x wire size) _____ x _____ mm²

weight _____ kg/m

outside dia. _____ mm

7. Electrical load _____ kW

Voltage _____ V

Amps _____ A

8. Reduction factor due to cranes working simultaneously? _____ %

9. No. of Collector Rings required ? _____ pc.
(our slipping assemblies always include one ground)

10. Type of application ? (see page 7) No.

11. How many movements per hour? _____ times

12. Operating hours per day? _____ h

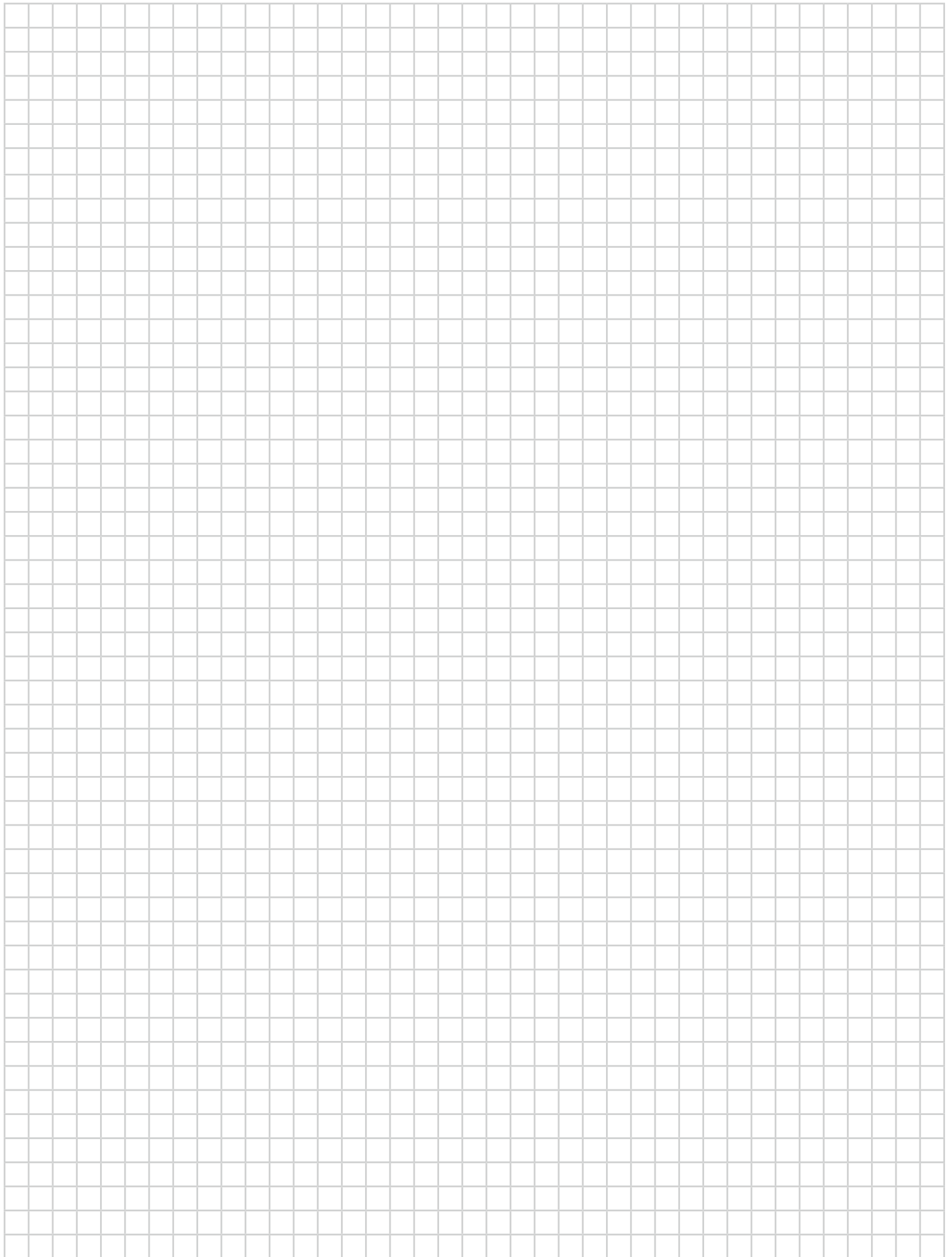
13. Maximum travel/lift speed? _____ m/min

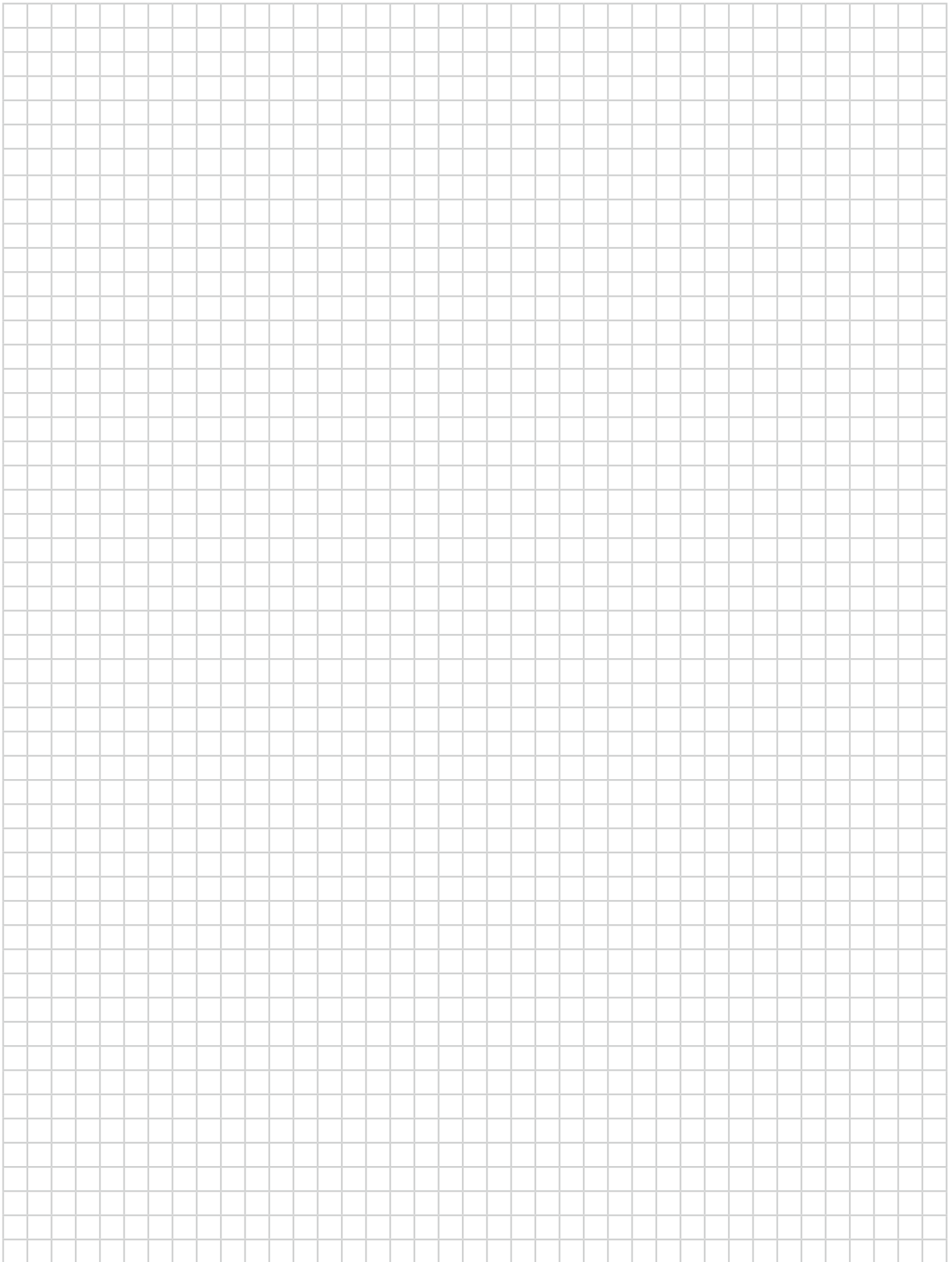
14. Acceleration 0 to full in _____ sec

15. Acceleration rate _____ m/sec²

Motor data	Crane 1			Crane 2			Crane 3		
	Power kW/HP	Current Amps.	Duty factor %	Power kW/HP	Current Amps.	Duty factor %	Power kW/HP	Current Amps.	Duty factor %
Hoist motor									
Auxiliary hoist									
Travel motor - main-trolley									
Travel motor - aux.-trolley									
Main travel									
Slewing									
Luffing									

Mark with an "E" any motor that may be in simultaneous operation.







1 Open conductor systems	
Open conductor systems	1a
2 Insulated conductor systems	
U10	2a
FABA 100	2b
U15, U25, U35	2c
U20, U30, U40	2d
3 Compact conductor systems	
VKS 10	3a
VKS - VKL	3b
VKH	3c
4 Enclosed conductor systems	
KBSL - KSL	4a
KBH	4b
MKH	4c
LSV - LSVG	4d
5 Contactless power supply	
Contactless power supply (CPS®)	5a
6 Data transmission	
VAHLE Powercom®	6a
Slotted Microwave Guide (SMG)	6b
7 Positioning systems	
VAHLE APOS®	7a
8 Festoon systems and cables	
Festoon systems for □ -tracks	8a
Festoon systems for flat cables on I-track	8b
Festoon systems for round cables on I-track	8c
Festoon systems for ◇-track	8d
Cables	8e
9 Reels	
Spring operated cable reels	9a
Motor powered cable reels	9b
10 Other	
Battery charging systems	10a
Heavy enclosed conductor systems	10b
Tender	10c
Contact wire	10d

Assemblies / Commissioning

Spare parts / Maintenance service



certified by DQS according to Din EN
ISO 9001:2008 OHSAS 18001:2007
(Reg. Nr. 003140 QM 08/BSOH)